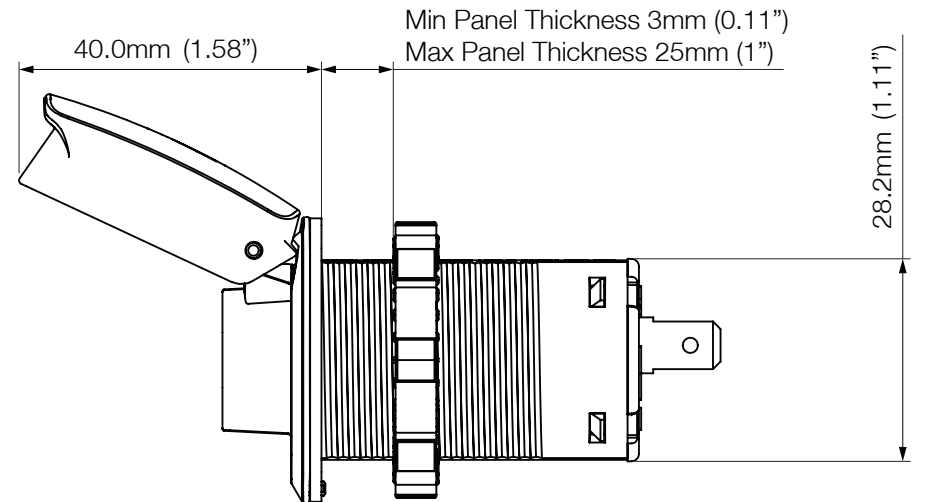
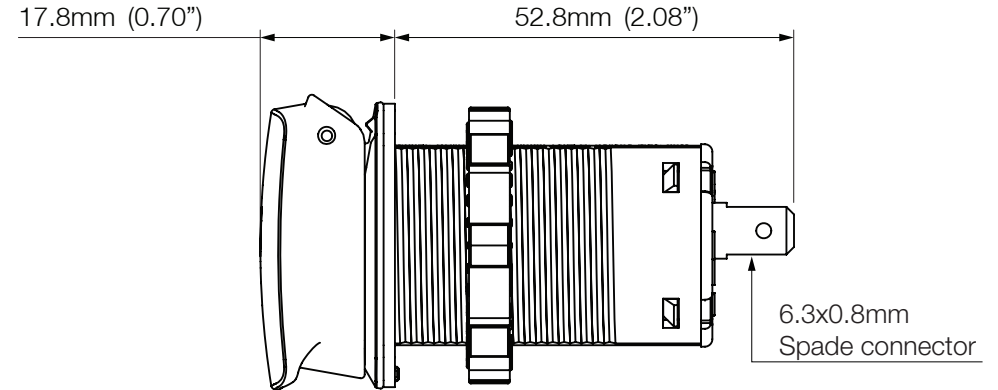
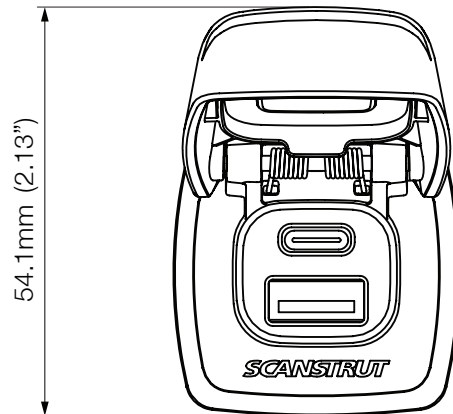
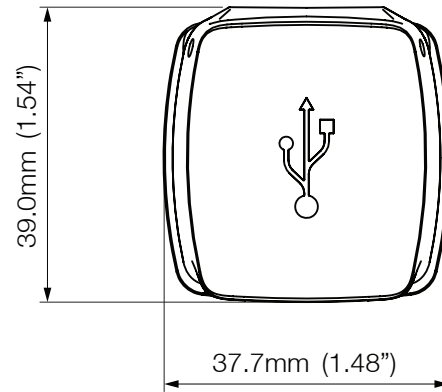


# Flip Pro Fast Charge Dual USB Socket - **SC-USB-F1**

Email: [sales@scanstrut.com](mailto:sales@scanstrut.com) Email: [usasales@scanstrut.com](mailto:usasales@scanstrut.com)

## Technical info:

|                                |  |
|--------------------------------|--|
| Input voltage<br>12/24V System | 10-32V DC                                    |
| Input current Max              | 6 A  |
| Output Type C<br>(12V System)  | 5V=3A, 9V=3A<br>12V=3A MAX                   |
| Output Type C<br>(24V System)  | 5V=3A, 9V=3A<br>12V=3A, 15V=3A<br>20V=3A MAX |
| Output Type A Max              | 5V=1.5A, 9V=1.5A<br>12V=1.5A/3A MAX          |
| Waterproof rating              | IPX4   |
| Standby draw                   | 0.01W  |
| Certification                  | CE, FCC, UKCA,<br>C-Tick, ROHS               |



**SCANSTRUT**®