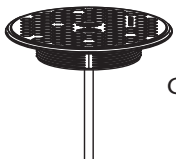



ROKK Wireless Charge Surface (SC-CW-02E)

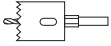

Parts List


	Charger	x1
	Alcohol wipe	x1

Technical Information

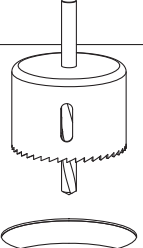
Input voltage range :	10-30V DC (12/24V system)
Input current max:	1.5A
Output power:	5W (5V, 1A)
Standby current draw:	< 0.03W
Certifications:	Qi, CE, FCC, ROHS
Waterproof rating:	IPX6 front and back

Tools Required

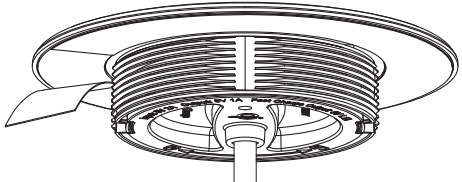
	64/65mm (2.5") Hole Saw
	Power drill

  READ THE IMPORTANT SAFETY INFORMATION LEAFLET BEFORE INSTALLING

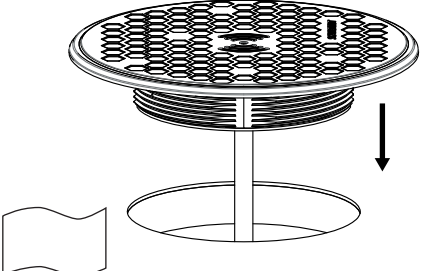
**1** Drill hole 64/65mm (2.5")



**2** Remove self-adhesive backing



**3** Use alcohol wipe to ensure surface is free from dirt or grease and insert into hole.



**4** Connect wires to 12-24V supply, ensuring a waterproof connection. Fuse appropriately according to input voltage and current.

