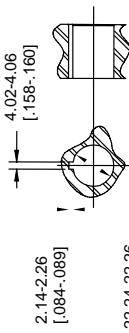
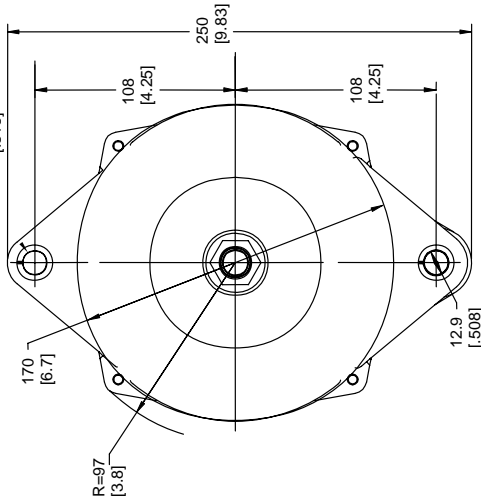


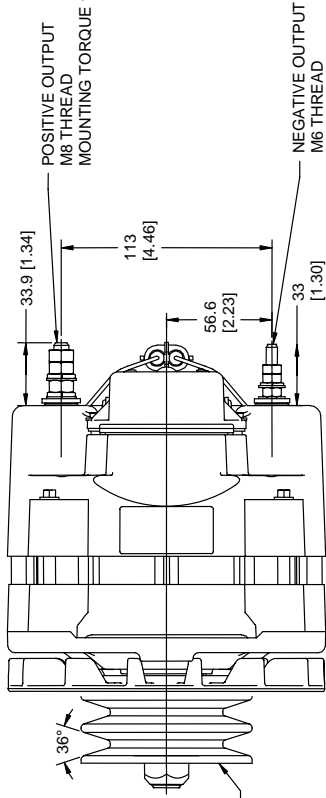
PULLEY HUB DETAIL



RECOMMENDED
PULLEY HUB LENGTH

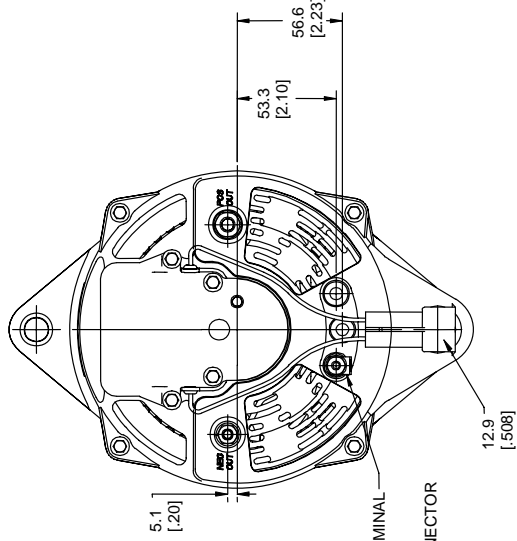
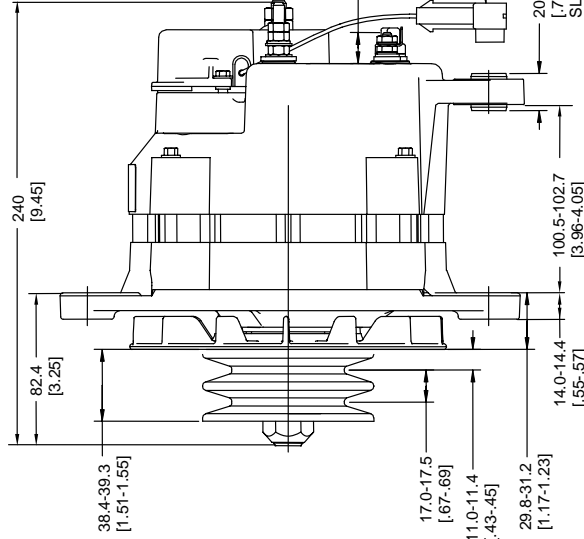


NOMINAL DIAMETER
IS 89 [3.5]

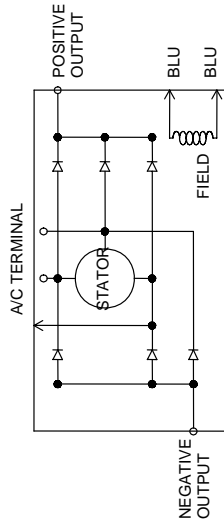


POSITIVE OUTPUT
M8 THREAD
MOUNTING TORQUE 11.3-12.8 Nm [110-110 InLbs]

NEGATIVE OUTPUT
M6 THREAD
MOUNTING TORQUE 7.9-9.0 Nm [75-80 InLbs]



WIRING DIAGRAM



DIMENSIONS IN MM [INCH]