

Quick®

CE REV 001B

High Quality Nautical Equipment

DP2 SERIE PRINCE

300/500/700/1000W

DP2 312

DP2 512

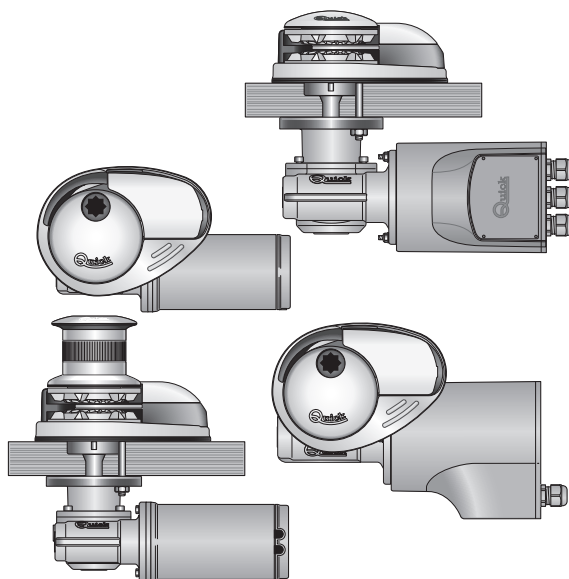
DP2 524

DP2 712

DP2 724

DP2 1012

DP2 1024



IT

Manuale d'uso

GB

User's Manual

SALPA ANCORA VERTICALI

VERTICAL WINDLASSES



IT **INDICE**

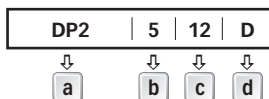
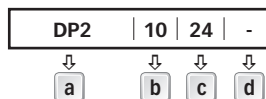
Pag. 4	Caratteristiche tecniche
Pag. 5	Installazione
Pag. 6	Schema di collegamento 300/500W
Pag. 7	Schema di collegamento 700/1000W
Pag. 8/10	Manutenzione
Pag. 11	Avvertenze importanti / Uso
Pag. 12/13	Set

GB **INDEX**

Pag. 14	Technical data
Pag. 15	Installation
Pag. 16	Connection diagram 300/500W
Pag. 17	Connection diagram 700/1000W
Pag. 18/20	Maintenance
Pag. 21	Warning / Usage
Pag. 22/23	Set



HOW TO IDENTIFY THE WINDLASS THROUGH THE CODE:

1° EXAMPLE:
DP2512D2° EXAMPLE:
DP21024**a**Name of the line:
[DP2]**b**Motor power:
[3] = 300 W [7] = 700 W
[5] = 500 W [10] = 1000 W**c**Motor supply voltage:
[12] = 12 V
[24] = 24 V**d**Drum:
[D] = with drum
[-] = without drum

MODEL	DP2 – / D			DP2 – / D HI SPEED (4)	
	300W	500W		500W	
Motor supply voltage	12V	12V	24V	12V	24V
Maximum pull	370 Kg (815,7 lb)	660 Kg (1455,0 lb)		600 Kg (1322,8 lb)	
Maximum working load	120 Kg (264,5 lb)	200 Kg (441,0 lb)	220 Kg (485,0 lb)	170 Kg (374,8 lb)	200 Kg (441,0 lb)
Working load	40 Kg (88,2 lb)	65 Kg (143,3 lb)	70 Kg (154,3 lb)	65 Kg (143,3 lb)	70 Kg (154,3 lb)
Current absorption @ working load (1)	65 A	80 A	40 A	100 A	50 A
Maximum chain speed (2)	29,2 (95,8 ft/min)	28,9 (94,8 ft/min)	28,2 (92,5 ft/min)	43,0 (141,1 ft/min)	42,5 (139,4 ft/min)
Maximum chain speed @ working load (2)	24,4 (73,8 ft/min)	24,3 (59,7 ft/min)	24,1 (63,3 ft/min)	34,5 (93,5 ft/min)	35,0 (91,9 ft/min)
Deck thickness (3)	20 ÷ 30 mm (25/32" ÷ 1" 3/16)				
Weight modell without drum	9,8 Kg (21,6 lb)				
Weight modell with drum	10,7 Kg (23,5 lb)				

MODEL	DP2 – / D			
	700W		1000W	
Motor supply voltage	12V	24V	12V	24V
Maximum pull	680 Kg (1499,1 lb)		930 Kg (2050,3 lb)	
Maximum working load	300 Kg (661,4 lb)	320 Kg (705,5 lb)	420 Kg (925,9 lb)	480 Kg (1058,2 lb)
Working load	100 Kg (220,5 lb)	107 Kg (235,9 lb)	140 Kg (308,6 lb)	160 Kg (352,7 lb)
Current absorption @ working load (1)	95 A	50 A	130 A	75 A
Maximum chain speed (2)	22,6 (74,1 ft/min)	25,3 (83,0 ft/min)	31,2 (102,4 ft/min)	30,1 (98,7 ft/min)
Maximum chain speed @ working load (2)	11,6 (38,1 ft/min)	14,4 (47,2 ft/min)	16,5 (54,1 ft/min)	19,1 (62,7 ft/min)
Deck thickness (3)	25 ÷ 50 mm (63/64" ÷ 1" 31/32)			
Weight modell without drum	15,6 Kg (34,3 lb)		16,7 Kg (36,8 lb)	
Weight modell with drum	16,3 Kg (35,9 lb)		17,4 Kg (38,3 lb)	

(1) After an initial period of use.

(2) Measurements taken with a gypsy for a 8 mm chain.

(3) On request, shafts and studs can be supplied for greater deck thicknesses.

(4) Only on request.

GYPSIES	6 mm		7 mm - 1/4"				8 mm		5/16"
	6 mm	6 mm	7 mm	7 mm	1/4"	1/4"	8 mm	8 mm	5/16"
Chain size	DIN 766	ISO**	DIN 766	ISO**	G4	BBB	DIN 766	ISO**	G4
Rope size *	1/2"		1/2"		1/2"		1/2"		1/2"

* The values in the table refer to a three-strand polyester rope with a rope/chain splice manufactured with the "Quick®" system.

** ISO EN 818-3.

Models' dimensions on page 26



Quick® reserves the right to introduce changes to the equipment and the contents of this manual without prior notice.

In case of discordance or errors in translation between the translated version and the original text in the Italian language, reference will be made to the Italian or English text.



BEFORE USING THE WINDLASS READ THESE INSTRUCTIONS CAREFULLY.

IF IN DOUBT, CONTACT YOUR NEAREST "QUICK" DEALER.

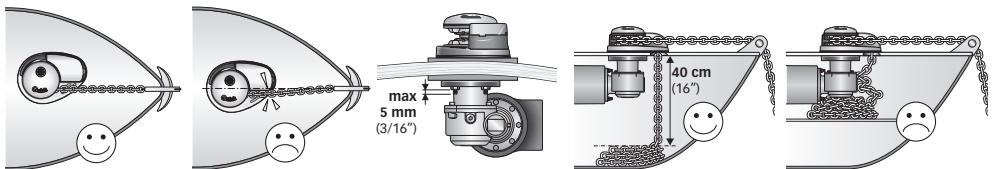
- ⚠ **WARNING:** the Quick® windlasses are designed to weigh the anchor. ⚠ Do not use the equipment for other purposes.
- ⚠ Quick® shall not be held responsible for damage to equipment and/or personal injury, caused by a faulty use of the equipment. ⚠ The windlass is not designed for the loads that might occur in extreme weather conditions (storms).
- ⚠ Always deactivate the windlass when not in use. ⚠ Check that there are no swimmers nearby before dropping anchor.
- ⚠ The splice between the rope and the chain must be tightly woven for the rope to slide easily into the gypsy shape. For any problem or request, feel free to contact Quick® Technical Service. ⚠ For improved safety we recommend installing at least two anchor windlass controls in case one is accidentally damaged. ⚠ We recommend the use of the Quick® hydraulic-magnetic switch as the motor safety switch. ⚠ Secure the chain with a further device before starting the navigation.
- ⚠ The contactor unit or reversing contactor unit must be installed in a point protected from accidental water contact.
- ⚠ After completing the anchorage, secure the chain or rope to fixed points such as chain stopper or bollard. ⚠ To prevent accidental releases, the anchor must be secured. The windlass shall not be used as the only securing device. ⚠ Isolate the windlass from the power system during navigation (switch the circuit breaker off) and lock the chain securing it to a fixed point of the boat.

THE PACKAGE CONTAINS: windlass (on deck unit + motorgearbox) - reversing contactor unit (300/500W), contactor unit (700/1000W) - base gasket - drill template - handle - bolts and screws (for assembly) - user's manual - conditions of warranty.

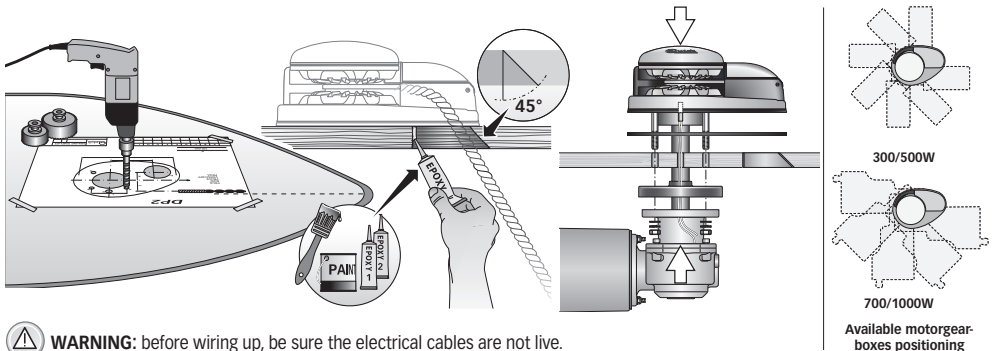
TOOLS REQUIRED FOR INSTALLATION: drill and drill bits: Ø 9 mm (23/64") and Ø 11 mm (7/16"); hollow mill: Ø 51 mm (2") and Ø 64 mm (2 1/2"); hexagonal wrench: 13 mm.

"QUICK" ACCESSORIES RECOMMENDED: anchoring RL control board (mod. 800) - Waterproof hand holds R/C (mod. HRC1002) - Foot switch (mod. 900) - Hydraulic-magnetic circuit breaker - Anchor chain counter (mod. CHC1102M and CHC1202M) - Radio control RRC (mod. R02, PO2, H02).

INSTALLATION REQUIREMENTS: the windlass must be positioned with the gypsy aligned with the bow roller. Ensure that the upper and lower surfaces of the deck are as parallel as possible. If this is not the case, compensate the difference appropriately (a lack of parallelism could result in a loss of motor power). The deck thickness must be included among the figures listed in the table. In cases of other thicknesses it is necessary to consult a Quick® retailer. There must be no obstacles under deck to the passage of cables, rope and chain; lack of depth of the peak could cause jamming.



FITTING PROCEDURE: when the ideal position has been established, drill four holes using the drilling template provided. Remove excess material from the chain passage, refine and flatten with a specialized product (marine paint, gel coat or two pack epoxy) to assure free passage for both rope and chain. Position the upper section, inserting the gasket between the deck and the base and connect the lower section to the assembly, inserting the shaft into the reduction unit. Fix the windlass by screwing the nuts onto the fixing studs. Connect the supply cables from the windlass to the contactor unit.



⚠ **WARNING:** before wiring up, be sure the electrical cables are not live.

Available motorgearboxes positioning



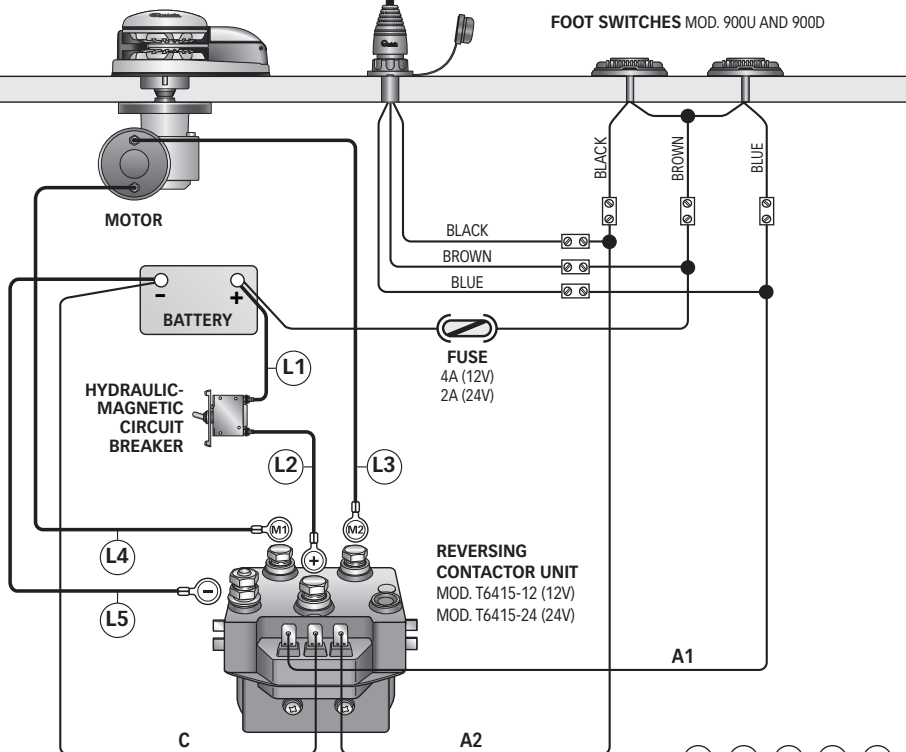
BASIC SYSTEM DP2 300/500W

SEE PAGE 24
SHOWING THE MAIN
CONNECTION DIAGRAM

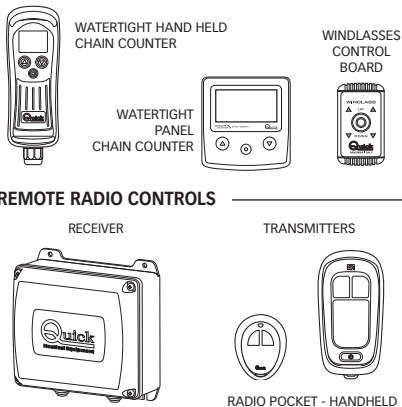
MULTI-PURPOSE
WATERTIGHT HAND HELD
REMOTE CONTROL
MOD. HRC 1002

WINDLASS

FOOT SWITCHES MOD. 900U AND 900D



QUICK® ACCESSORIES FOR WINDLASS OPERATION



$$L = (L1) + (L2) + (L3) + (L4) + (L5)$$



CONNECTION DIAGRAM

GB

BASIC SYSTEM DP2 700/1000W

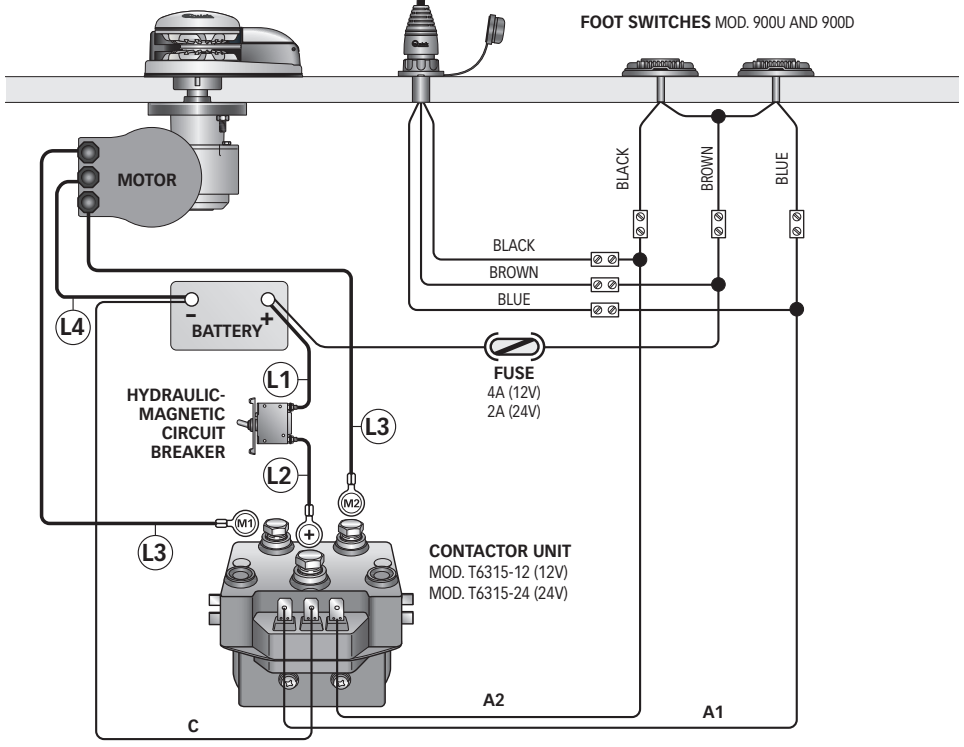
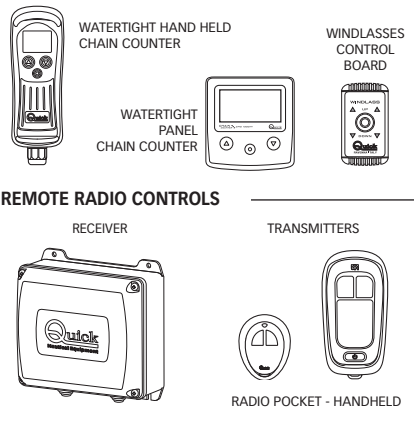
SEE PAGE 25
SHOWING THE MAIN
CONNECTION DIAGRAM

PULSANTIERA
MULTIUSO
MOD. HRC 1002

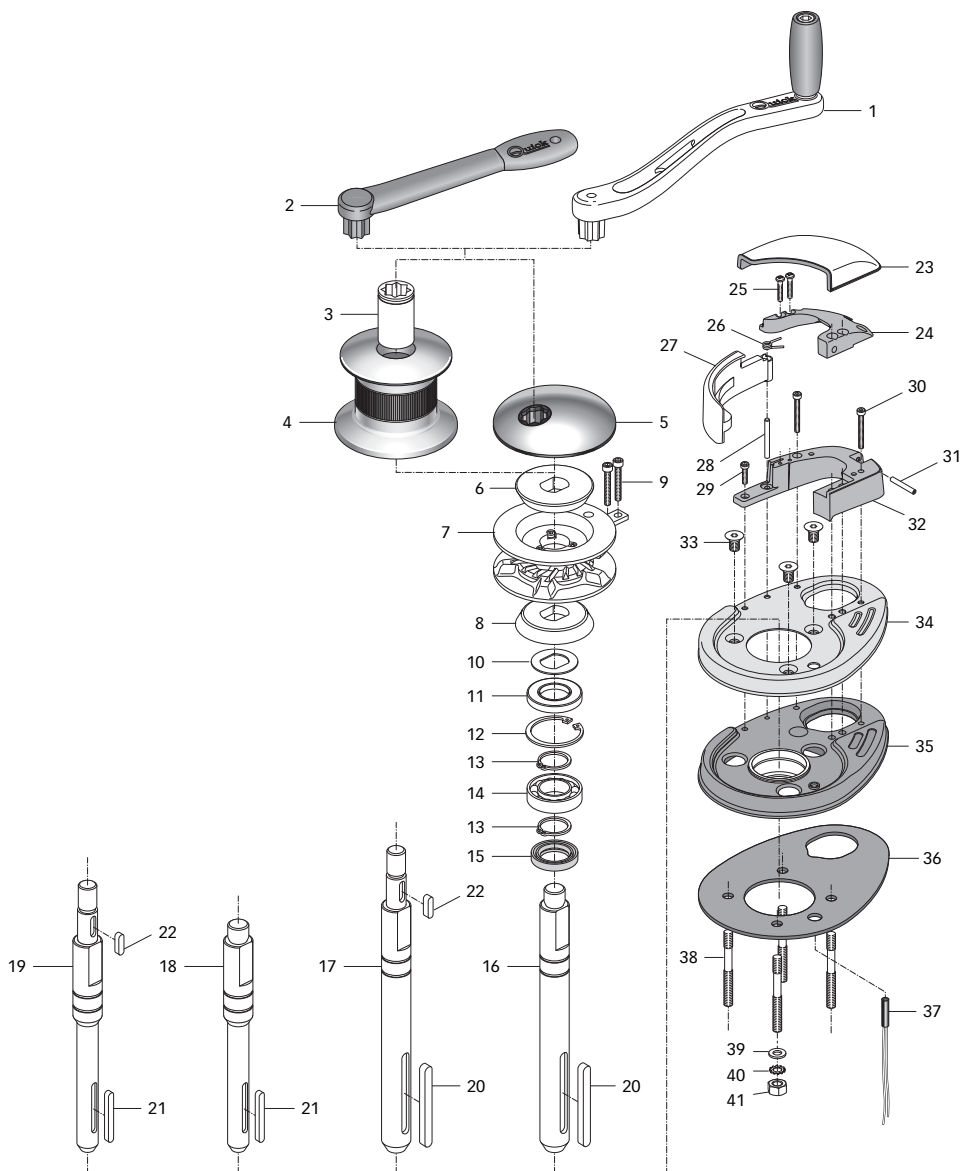
WINDLASS

FOOT SWITCHES MOD. 900U AND 900D

QUICK® ACCESSORIES FOR WINDLASS OPERATION



L = (L1) + (L2) + (L3) + (L4)





POS.	DESCRIPTION	CODE
1	Bent windlass lever 700-1000W	MSH0000000R1
2	Straight windlass lever - nylon 300-500W	PVLVSDN000000
3	Drum bush DP2 chromed	SGMSD0400000
4	Drum - 800W	ZSPMSE0800R3
5	Gypsy cover	MSGB07GX0000
6	Top clutch cone	MSF07G000000
7	Gypsy* 5/16" complete DP2	ZSBDP20516R0
8	Bottom clutch cone	MSF08ASCN000
9	Screw 5*45	MBV0545MXCE0
10	Spring washer	MBR254010X00
11	Oil seal	PGPRL2547700
12	Internal circlip	MBAN4717Y000
13	External circlip	MBAE2520Y000
14	Bearing 6005	MBJ600500000
15	Oil seal	PGPRL2540700
16	Shaft DP2 700/1000W	MSASDP20L0R0
17	Shaft DP2 D 700/1000W	MSASDP2DL0R0
18	Shaft DP2 300/500W	MSASDP20S0R0
19	Shaft DP2 D 300/500W	MSASDP2DS0R0
20	Key	MBH0807080X0
21	Key	MBH0606050X0
22	Key	MBH0606025X0
23	Chain guide cover DP2	-
24	Plastic chain pipe series DP2	PDNCPDP20000
25	Screw 3,9*25	MBV03925AXCC
26	Spring for pressure lever	MMTND08ASC00
27	Pressure lever DP2	PDLVTDDP2N00
28	Cylindrical pin	MBSC04040A00
29	Screw	MBV0416MXCEB
30	Screw	MBV0440MXCE0
31	Screw	MBV0430MXVEP
32	Plastic chain pipe series DP2	PDPS0DP20R01
33	Screw	MBV0814MXTSC
34	Stainless steel cover base serie DP2	MSGB0DP2X000
35	Plastic cover insert DP2	PDNC0DP20000
36	Gasket/ DP2 - shaped jig	PGB5DP200000
37	Sensor	KNREEDCL0000
38A	Stud 8*060 Ø8	MBP080608X00
38B	Stud 8*080 Ø8	MBP080808X00
39	Washer	MBR08X000000
40	Grower	MBR08XDE0000
41	Nut	MBD08MXEN000



WARNING: make sure the electrical power to the motor is switched off when working manually on the windlass. Carefully remove the chain or rope from the gypsy or the rope from the drum.

Quick® windlasses are manufactured with materials resistant to marine environments. In any case, any salt deposits on the outside must be removed periodically to avoid corrosion and damage to the equipment. The parts where salt may have built up should be washed thoroughly with fresh water.

Once a year, the drum and the gypsy are to be taken apart as follows:

DRUM VERSION

Use the handle (1 or 2) to loosen the bush (3); pull off the drum (4) and the top clutch cone (6); loosen the fixing screws (9) of the rope/chain stripper and remove it. Pull off the gypsy (7).

NO-DRUM VERSION

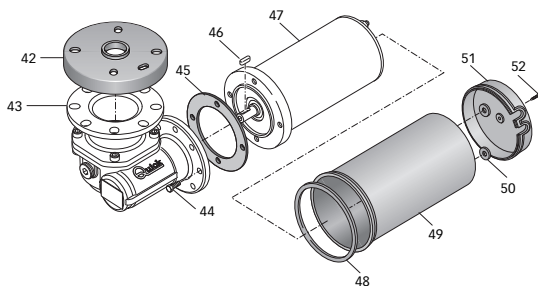
Use the handle (1 or 2) to remove the gypsy cover (5); remove the top clutch cone (6); loosen the fixing screws (9) of the rope/chain stripper and remove it and pull off the gypsy (7).

Clean all the parts removed to avoid corrosion, and grease the shaft thread (16, 17, 18 or 19) and the gypsy (7) where the clutch cones (6 and 8) rest (use grease suitable for marine environment).

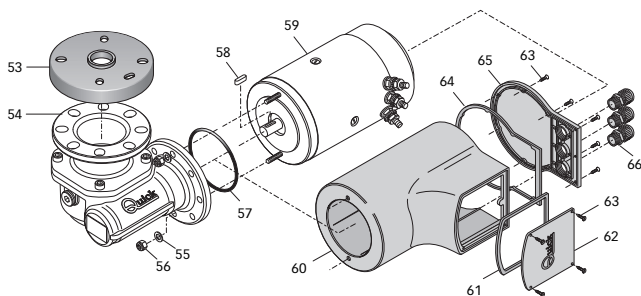
Remove any oxide deposits from the terminals of the electric motor and the contactor unit; grease them.



42	Gearbox flange gasket TOP TG40	PGFLRDTG4000	55	Washer	MBR061815X00
43A	Gearbox - Quick TG40 500W	SLMR05TG4000	56	Self locking nut	MBD06MXET000
43B	Gearbox - Quick TG40 500W HS	SLMR05TG40HS	57	O-ring	PGR023000000
44	Screw	MBV0516MXE00	58	Key	MBH050515F00
45	Geared motor seal	PGBMR0400000	59A	Electric motor 700w 12v	EMF071200000
46	Key	MBH040415F00	59B	Electric motor 1000w 12v	EMF101200000
47A	Electric motor 300W 12V	EMF031200000	59C	Electric motor 700w 24v	EMF072400000
47B	Electric motor 500W 12V	EMF051200000	59D	Electric motor 1000w 24v	EMF102400000
47C	Electric motor 500W 24V	EMF052400000	60A	Motor casing watertight 700w	PCCCPM070000
48	Flange gasket	PGGPMFN04000	60B	Motor casing watertight 1000w	PCCCPM100000
49	Motor casing watertight 300/500W	PCCCPM040000	61	Grommet 700/1000w	PCGPMMR00000
50	Poles gasket electric motor	PGGPMPM04000	62	Terminal board cover 700/1000w	PCCPPMMR0000
51	Bottom protec cover electric motor	PCCPPMFN0400	63	Screw	MBV02213AXSC
52	Screw	MBV03916AXCC	64	Bottom gasket 700/1000w	PGGPMFN00000
53	Gearbox flange gasket TOP TG50	PGFLRDTG50000	65	Bottom protec cover 700/1000w	PCCPPMFN0000
54	Gearbox - Quick TG50 1000W	SLMR10TG5000	66	Cable outlet	PPM20B000000



MOTORGEARBOX 300/500W



MOTORGEARBOX 700/1000W



WARNING



WARNING: stay clear of the chains, ropes and gypsy. Make sure the electric motor is off when windlass is used manually (even when using the handle to disengage the clutch). In fact people with windlass remote controls (hand-held remote control or radio-controlled systems) might accidentally operate it.



WARNING: secure the chain with a device before starting the navigation.



WARNING: do not operate the windlass by using the electrical power when the handle is inserted in the drum or into the gypsy cover.



WARNING: Quick® recommends using a protection to prevent the engine line from suffering damages due to overheating or shortcircuits. For AC currents the use of a fuse is recommended (details on its dimension are specified in the page of the connection diagram); For DC currents the use of a specific and delayed-action (thermal-magnetic or hydraulic-magnetic) circuit breaker is recommended. The circuit breaker can be used to cut off power to the windlass control circuit and so avoid accidental activation.

CLUTCH USE

The clutch (6 and 8) provides a link between the gypsy (7) and the main shaft (16, 17, 18 or 19). The clutch can be released (disengagement) by using the handle (1 or 2) which, when inserted in the bush (3) of the drum (4) or into the gypsy cover (5), must be turned counter-clockwise. The clutch will be re-engaged by turning it clockwise (engagement).

WEIGHING THE ANCHOR

Turn on the engine. Make sure the clutch is engaged and remove the handle (1 or 2).

Press the UP button on the control provided.

If the windlass stops and the hydraulic magnetic switch (or thermal cutout) has not tripped, wait a few seconds and try again (avoid keeping the button pressed).

If the hydraulic magnetic switch, has tripped, reset it and wait a few minutes before weighing anchor once again.

If, after a number of attempts, the windlass is still blocked, we suggest to move the boat to release the anchor.

Check the upward movement of the chain for the last few meters in order to avoid damages to the bow.

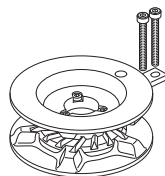
CASTING THE ANCHOR

The anchor can be cast by using the electrical control or manually. To operate manually, the clutch (6 and 8) must be disengaged allowing the gypsy (7) to revolve and letting the rope or chain fall into the water.

To slow down the chain, the handle (1 or 2) must be turned clockwise.

To cast the anchor by using the electrical power, press the DOWN button on the control provided. In this manner, anchor casting is under control and the chain and rope unwind evenly.

In order to avoid any stress on the windlass -once the boat is anchored- fasten the chain or secure it in place with a rope.



GYPSY - DP2

OSP GYPSY DP2 1/4"

OSP GYPSY DP2 5/16"

OSP GYPSY DP2 6MM

OSP GYPSY DP2 8MM

CODE

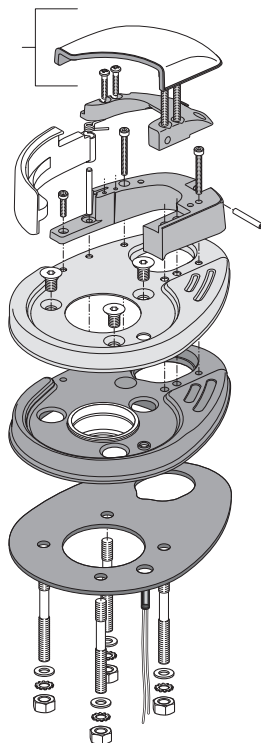
FVSSBDP20140A00

FVSSBDP20516A00

FVSSBDP20600A00

FVSSBDP20800A00

* CHAIN GUIDE
COVER KIT



COMPLETE BASE - DP2

OSP WINDLASS BASE SERIE DP2 L COMP

OSP WINDLASS BASE SERIE DP2 S COMP

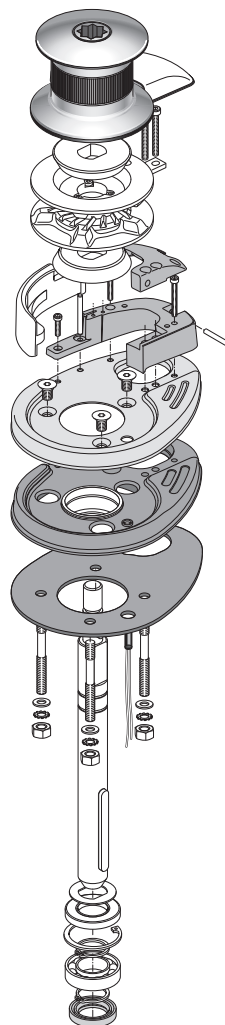
* OSP CHAIN GUIDE COVER KIT DP2

CODE

FVSSBDP2LC00A00

FVSSBDP2SC00A00

FVSSCPSCDP20A00



TOP WITH DRUM - DP2

OSP TOP DP2 D L 1/4"

OSP TOP DP2 D L 5/16"

OSP TOP DP2 D L 6MM

OSP TOP DP2 D L 8MM

OSP TOP DP2 D S 1/4"

OSP TOP DP2 D S 5/16"

OSP TOP DP2 D S 6MM

OSP TOP DP2 D S 8MM

CODE

FVSSTDP2DL01A00

FVSSTDP2DL05A00

FVSSTDP2DL06A00

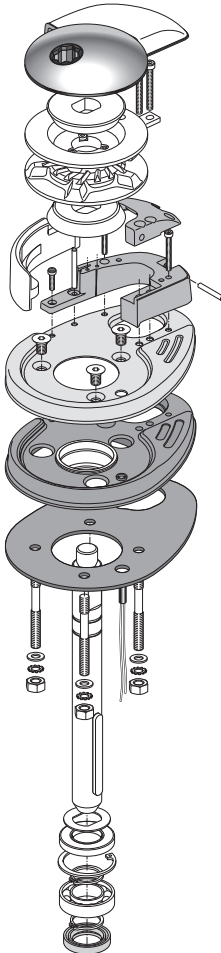
FVSSTDP2DL08A00

FVSSTDP2DS01A00

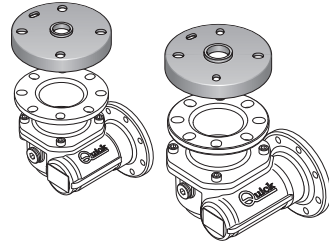
FVSSTDP2DS05A00

FVSSTDP2DS06A00

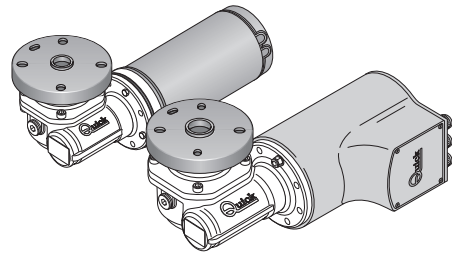
FVSSTDP2DS08A00

**TOP WITHOUT DRUM - DP2**

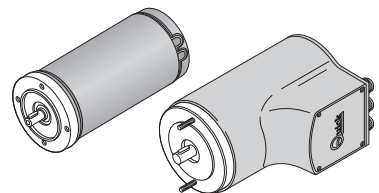
OSP TOP DP2	L 1/4"	CODE
OSP TOP DP2	L 5/16"	FVSSTDP20L01A00
OSP TOP DP2	L 6MM	FVSSTDP20L05A00
OSP TOP DP2	L 8MM	FVSSTDP20L06A00
OSP TOP DP2	S 1/4"	FVSSTDP20L08A00
OSP TOP DP2	S 5/16"	FVSSTDP20S01A00
OSP TOP DP2	S 6MM	FVSSTDP20S05A00
OSP TOP DP2	S 8MM	FVSSTDP20S06A00
		FVSSTDP20S08A00

**GEARBOX****CODE**

OSP GEARBOX 500W WINDLASS QUICK TG40	FVSSMR05TG40A00
OSP GEARBOX 500W WINDLASS QUICK TG40 HSFVSSMR0540HSA00	
OSP GEARBOX 1000W WINDLASS QUICK TG50	FVSSMR10TG50A00

**MOTORGEARBOX****CODE**

OSP MOTORGEARBOX 300W 12V QUICK	FVSSR0312Q00A00
OSP MOTORGEARBOX 500W 12V QUICK	FVSSR0512Q00A00
OSP MOTORGEARBOX 500W 12V QUICK HS	FVSSR0512QHSA00
OSP MOTORGEARBOX 500W 24V QUICK	FVSSR0524Q00A00
OSP MOTORGEARBOX 500W 24V QUICK HS	FVSSR0524QHSA00
OSP MOTORGEARBOX 700W 12V QUICK	FVSSR0712Q00A00
OSP MOTORGEARBOX 700W 24V QUICK	FVSSR0724Q00A00
OSP MOTORGEARBOX 1000W 12V QUICK	FVSSR1012Q00A00
OSP MOTORGEARBOX 1000W 24V QUICK	FVSSR1024Q00A00

**MOTOR****CODE**

OSP WINDLASS MOTOR 300W 12V	FVSSM0312000A00
OSP WINDLASS MOTOR 500W 12V	FVSSM0512000A00
OSP WINDLASS MOTOR 500W 24V	FVSSM0524000A00
OSP WINDLASS MOTOR 700W 12V	FVSSM0712000A00
OSP WINDLASS MOTOR 700W 24V	FVSSM0724000A00
OSP WINDLASS MOTOR 1000W 12V	FVSSM1012000A00
OSP WINDLASS MOTOR 1000W 24V	FVSSM1024000A00