

Product Update...

NEW

HOW TO ORDER

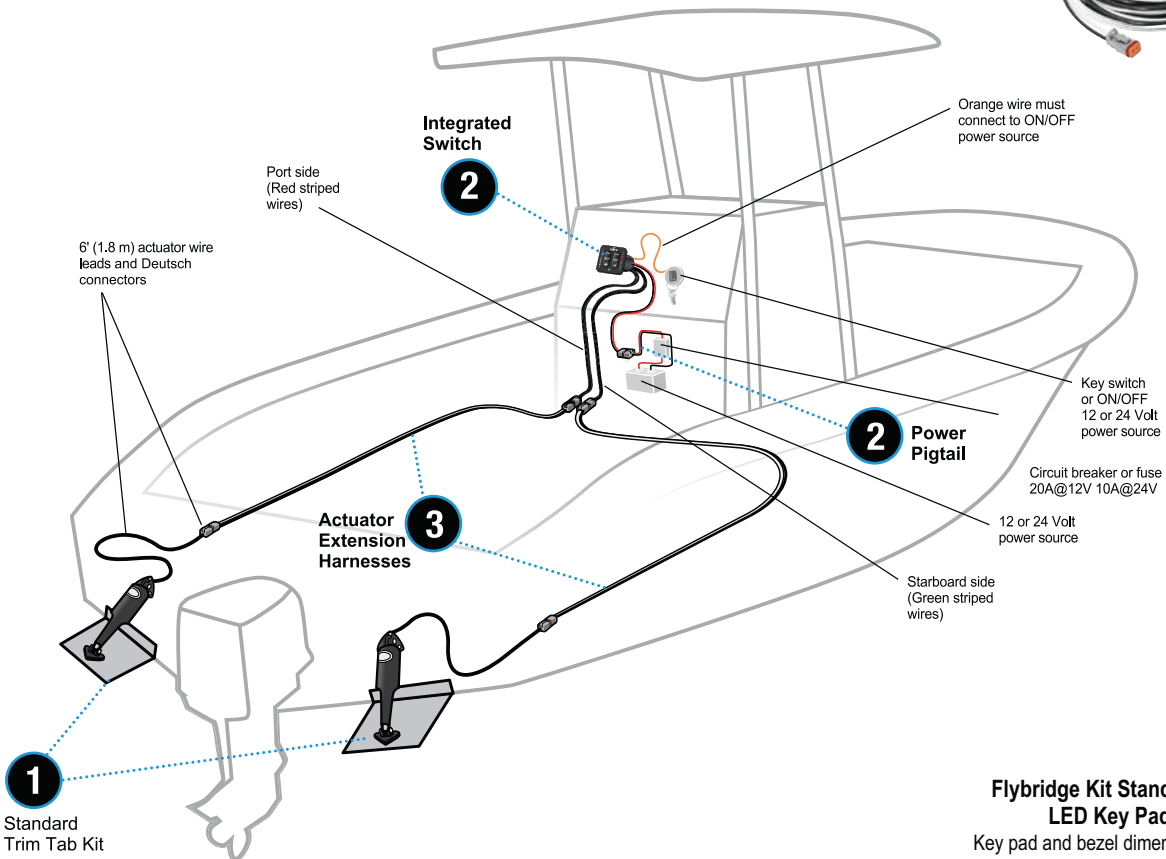
Trim Tab kits come with two actuators with 6' leads, Deutsch connectors, blades and hardware. Extension harnesses are included except on heavy duty and high performance models.



Lenco switch kits are available with integrated or two piece panel and control box, both with power pigtails. Choose either single or dual actuator switch kits to suit the trim system you are fitting.



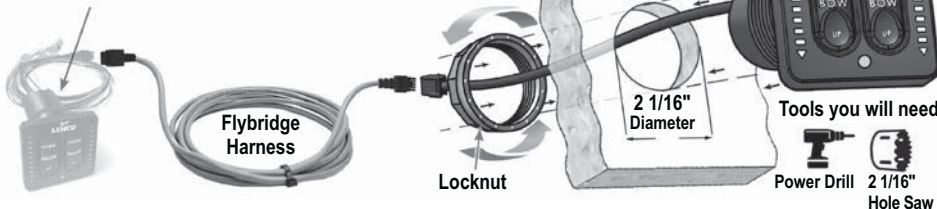
20' Deutsch Connected Actuator Extension Harnesses may be needed and will work with any of the trim tab system kits (1 per actuator).



Flybridge Kit Standard or LED key pad connecting to Integrated Tactile Switch Kit

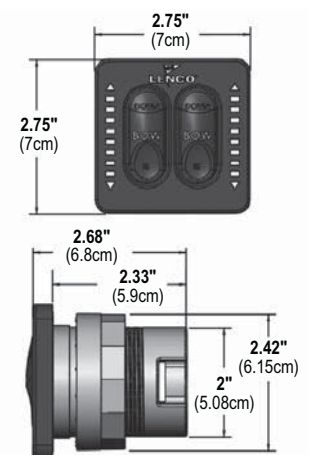
Wiring Diagram - see page 6 for kit part numbers

Integrated Tactile Switch (LED indicator shown, sold separately)



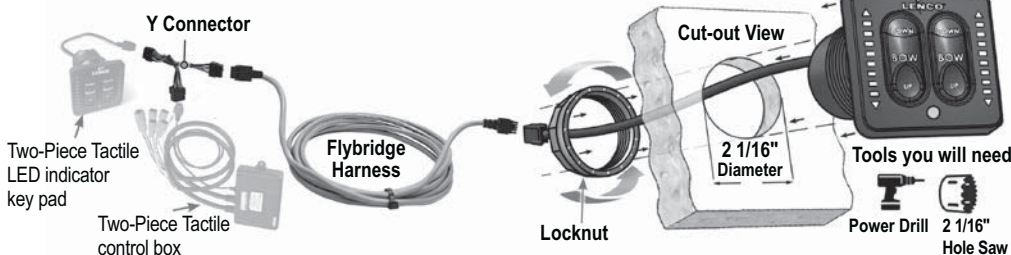
Flybridge Kit Standard or LED Key Pad

Key pad and bezel dimensions and installation instructions



Flybridge Kit LED key pad connecting to Two-Piece Tactile Switch Kit

Wiring Diagram - see page 6 for kit part numbers



Key pad & control box sold separately

NOTE: See cutout template on inside back cover of owners manual