

73669 Lifelink MOB Danbuoy & Horseshoe **OWNER'S MANUAL**

TABLE OF CONTENTS

Warnings_____	2
Description_____	2
Detailed Presentation_____	2-3

Mounting Instructions_____	4
After Activation_____	4
Cleaning_____	4
Servicing Instructions_____	4

Storage_____	5
Spare Parts_____	5
Servicing Record_____	5



Warnings

WARNING!

Please read carefully all the instructions provided, before use. Failure to do so, may result in injury or death.

WARNING!

This device must be used in accordance with the instructions provided in this manual to secure maximum performance. Failure to comply with the instructions could result in a lower level of performance or in failure of the device, which could result in death. Under some circumstances, even if used properly, this device may not save your life.

WARNING!

Do not orally inflate this device with the included oral inflation tubes and then do not pull the inflation tab. This could cause injury and may overstress the buoyancy chamber.

WARNING!

This device is not designed to satisfy the requirements of a life raft for extended durations. This unit is designed for man-overboard or individual rescue operations.

WARNING!

This unit requires limited periodic maintenance to ensure operation in an emergency. Do not use this unit if it has not been properly maintained. Maintenance should be performed only by an authorized LALIZAS Service Station. Please check the "Servicing Instructions" for additional details.

WARNING!

Do not open or otherwise disassemble this device until needed. Maintenance should be performed only by an authorized LALIZAS Service Station. Please check the "Servicing Instructions" for additional details.

WARNING!

Never use this device if it has obvious damage. Maintenance should be performed only by an authorized LALIZAS Service Station. Please check the "Servicing Instructions" for additional details.

Description

In case of a Man Overboard emergency, quick response of the crew can be a matter of life and death for the person fallen into the sea. **LALIZAS Lifelink MOB Danbuoy & Horseshoe is intended to provide a quick and easy-to-use assistance to both the crew as well as the person in danger.**

Product consists of an inflatable flotation unit in horseshoe shape and preinstalled lifejacket SOLAS light, an inflatable danbuoy with a flag and a sea anchor. **All these components are folded and packed in a bag, secured in a compact HDPE case and ready-to-use.** Case is easily and steadily installed on vessel's rails.

Simple operation

In a Man Overboard emergency, **pulling the stainless steel pin will release** the bottom lid of the case and as a result, the safety equipment will fall securely into the sea.

Horseshoe and Danbuoy are equipped with automatic inflators and CO₂ cylinders. This means that they will be automatically inflated as soon as they are immersed into the sea, without any further action needed.

Then, the person in the water should get closer to the inflated equipment, place horseshoe under their arms and lock the buckle. **Danbuoy will provide visibility as it is designed to stay vertical to the surface and hold a flag on its high top.**

Additionally, **sea anchor will help the person stay in place and facilitate the rescue from the crew.** It should be noted that all components that fall into the sea are connected with a rope and thus, there is no danger of losing any part due to sea waves or wind.

Detailed Presentation

Lifelink MOB Danbuoy & Horseshoe Specifications

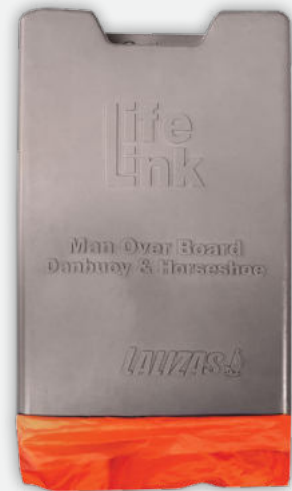
CASE		HORSESHOE		DANBUOY	
Gross weight	6 kg	Buoyancy	140 N	Material	Nylon with TPU
Material	HDPE	Material	Nylon with TPU	Color	Fluo Yellow
Color	Grey	Color	Fluo Yellow	Dimensions	175 cm above waterline
Dimensions	46.5 cm H x 27 cm L x 13 cm W	CO ₂ Inflation	33 gr cylinder	CO ₂ Inflation	33 gr cylinder
				Lifejacket light SOLAS	8 hours of continuous operation

Pull the pin in order to release the bottom lid



Bottom lid

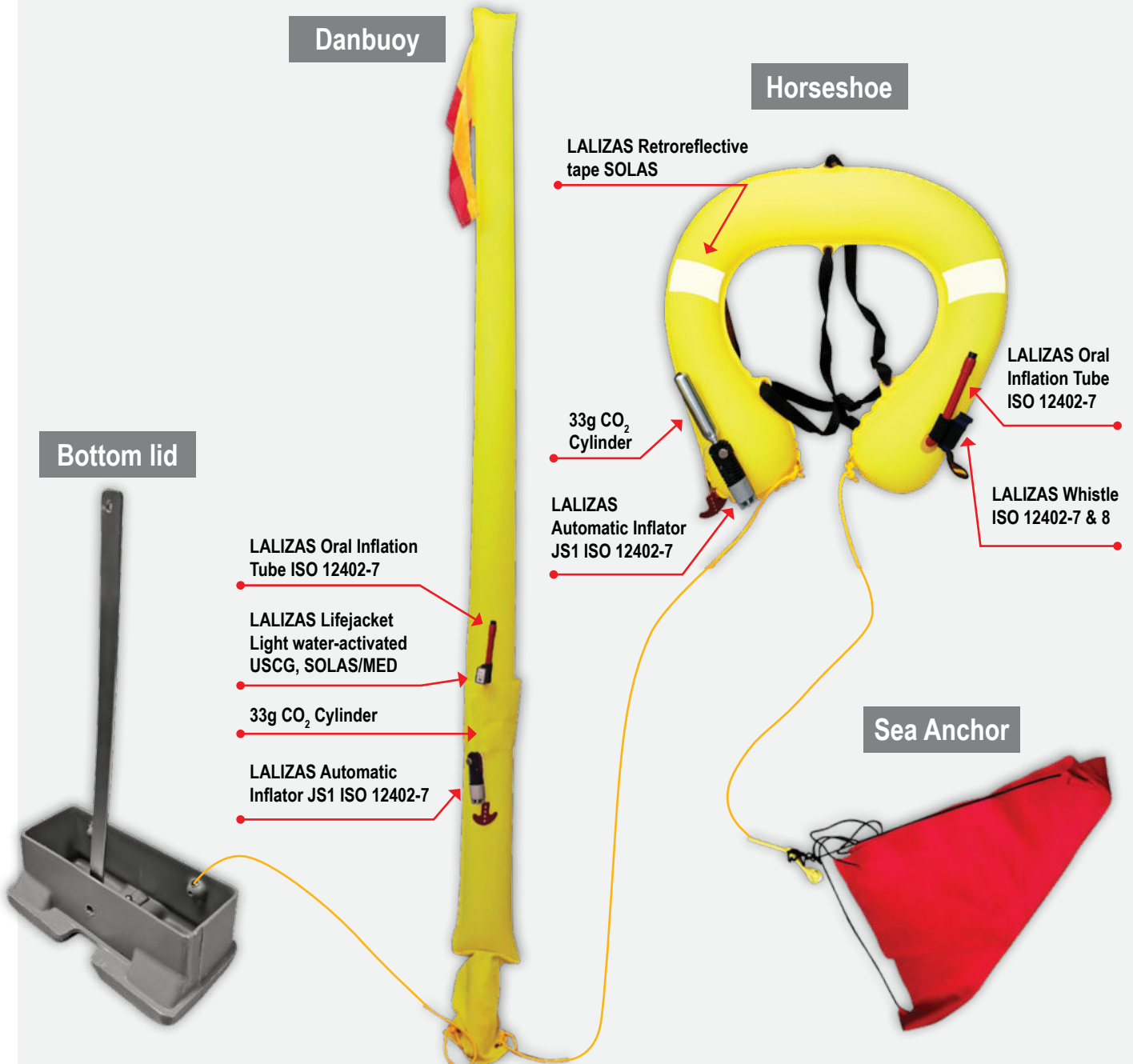
Inner bag protects the contents from water



Danbuoy

Horseshoe

Bottom lid



Mounting Instructions

Lifelink MOB Danbuoy & Horseshoe is designed to fit most conventional boat rails. It can be installed onto horizontal rails but also at the intersections of vertical and horizontal rails. **Case must be in vertical position, on the outer side of rails.** The location should be selected carefully so that there is a clear path under the case to allow free fall of both the lid and the equipment into the sea. No obstacles should exist in the path. Otherwise, parts could become entangled and not perform as intended.

All necessary screws are included within the product's packing. **Do NOT drill holes or use other screws** rather than those coming with the product as this could damage the case and the safety equipment inside.

For the installation of the case onto the rails, product comes with 4 SS plates and 8 SS cap screws M8x16 ISO 10642.

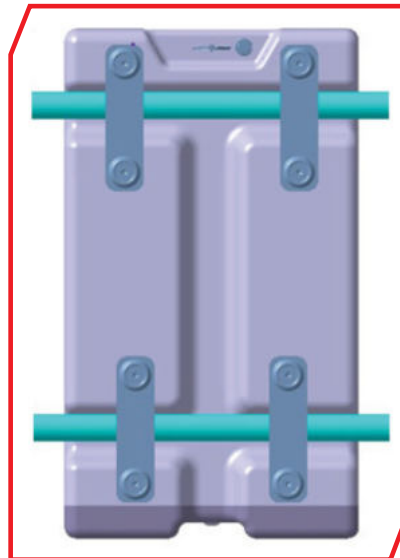
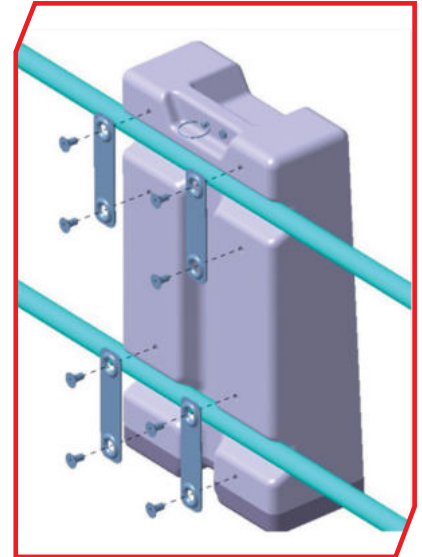
IMPORTANT NOTE!

Distance between horizontal rails: 300-310mm
Max rail diameter: 25mm

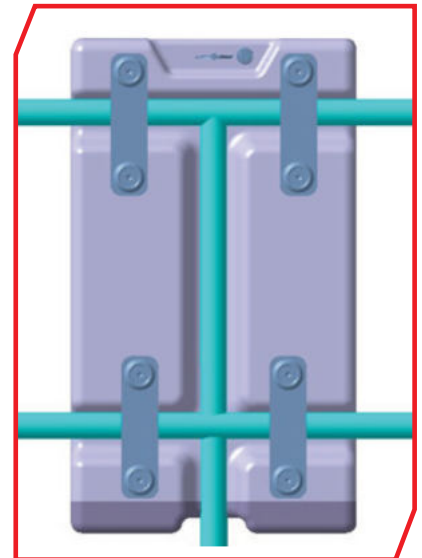
Depending on the placement of rails, there are 2 possible positions to install the case, as shown:

In any case, attention should be paid while installing the case onto rails so that it does not accidentally fall into the sea.

After screwing all 8 M8x16 DIN 7991 screws, **make sure that the case is steady and check again that no obstacle interferes** between the case lid and the sea surface.



2 horizontal rails



Intersection of 2 horizontal rails with a vertical one

After Activation

After devices have been activated, the crew should bring them aboard. If possible, all materials should be rinsed with clean water and let air-dry. Then, the inflatable devices should be completely deflated. **To deflate chambers**, remove oral inflation tube cap, insert the nipple of the cap strap and hold into the valve. Apply gentle pressure to the chamber and deflate it. Re-install the cap in the normal position on the inflation tube. **For reuse, Lifelink MOB Danbuoy & Horseshoe must be serviced and repacked by an authorized LALIZAS Service Station.**

Cleaning

Lifelink MOB Danbuoy & Horseshoe hard container and flotation devices may be cleaned with mild soap and water. Never use harsh chemicals on or around this product. If exposed to harsh chemicals such as hydraulic fluids, oils or solvents, have the unit cleaned and inspected by an authorized LALIZAS Service Station.

Servicing Instructions

Lifelink MOB Danbuoy & Horseshoe requires inspection and service from an authorized LALIZAS Service Station **after each use or 3 years after the manufacturing date.** Failure to comply with this requirement may lead Lifelink MOB Danbuoy & Horseshoe not to perform as designed.

IMPORTANT NOTE!

It is recommended that the Lifelink MOB Danbuoy & Horseshoe should be removed from the rail and stored below if the boat is moored for extended periods.



LALIZAS 
Simply life saving

3 Gounari D. street, Piraeus, 18531, Greece
T: +30 21 0422 6274 F: +30 210 42 26 273 E: info@lalizas.com
www.lalizas.com