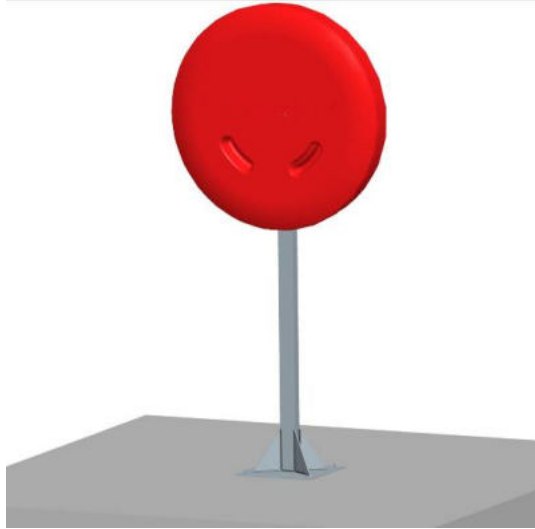
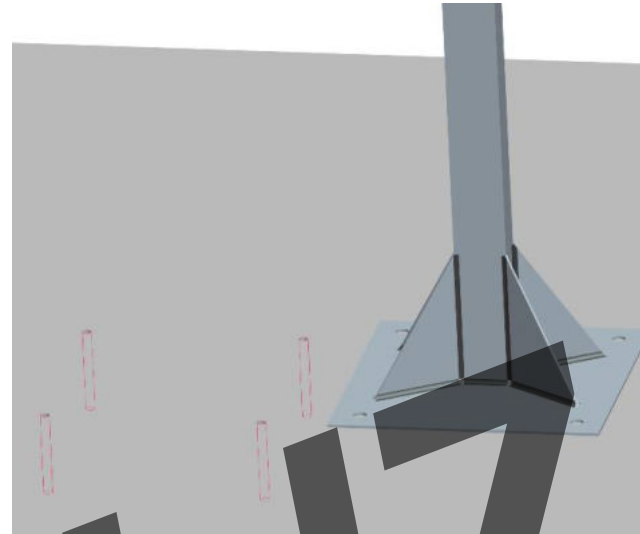


| | | |
|------------------|--|--|
| Product | Set of Lifebuoy Ring Case, w/ 70090 Ring & Floating Rope | Deck Pole Base for Lifebuoy Ring Case |
| Code | 71285 | 71286 |
| Material | Polyethylene, orange | Galvanized steel |
| Dimension | 85x 85 x 20 cm (Height x width x depth). | 30x 30 x 150 cm (Base Length x Base width x Pole height). |
| Describe | <p>Includes :</p> <ul style="list-style-type: none"> • 1 pc of SOLAS lifebuoy code 70090 • Floating rope of 30m length. <p>Container provides protection and easy spotting of ring lifebuoys to beaches/lakes/rivers or jetties.</p> | <p>Includes :</p> <ul style="list-style-type: none"> • 1pc of pole base • 4pcs expand bolt • 1pc bolt & nut • 2pcs U bolts & nuts <p>The base could be fixed on the ground of beaches/lakes/rivers or jetties, then container could be easy assembled. There also are 2pcs U bolts could be assembled with rails (the max diameter 60mm)</p> |

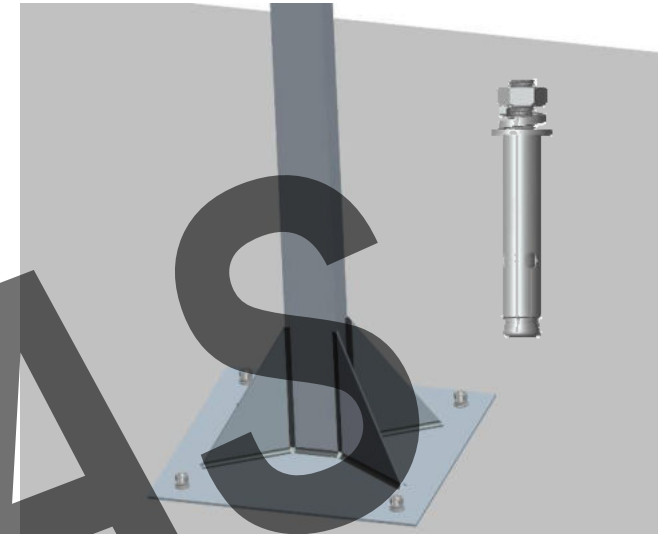




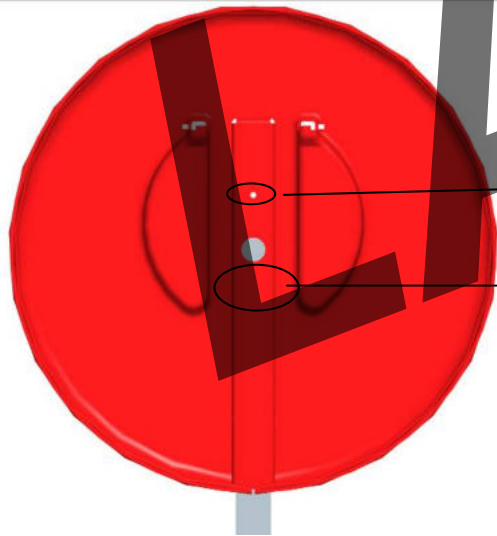
The deck pole base includes a pole base+4pcs expand bolt+2pcs bolt nut.



Drill four holes at the rigid ground.



Place expand bolts (4pcs) and tight up with pole base.



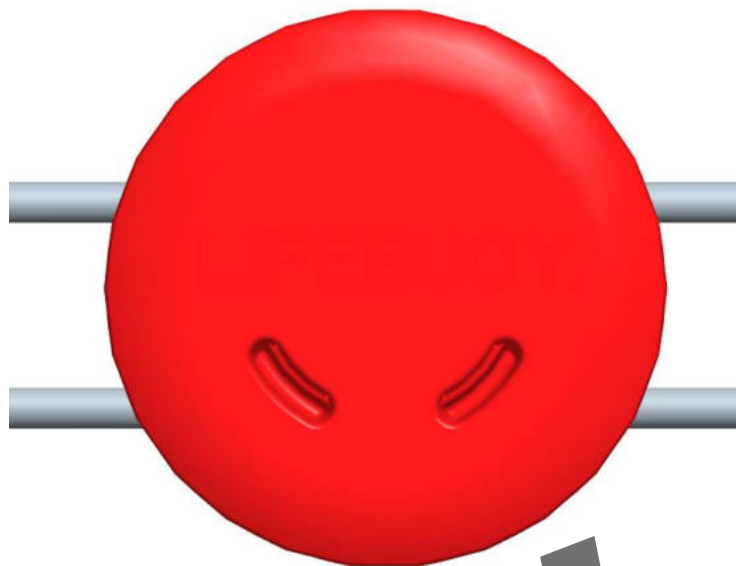
Drill 1 hole in order to fix the case with pole & place the case onto the pole.



Proposed areas for drilling hole & assemble the M8bolt & nut is indicated to above photos.



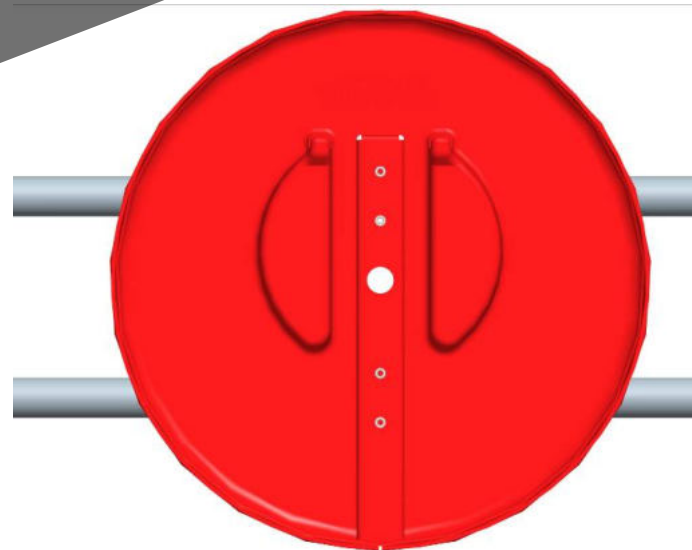
Double check if the pole secure assemble, then store the lifebuoy & rope.



The deck pole base includes 2pcs U bolts, which can be assembled with rails.



Drill 4 holes to the needed areas and use the U bolts to assembly the items. Fix and tighten with use of the nuts.



Please note that it is recommended to place the product on double rails, not to single rail, because in different case, if assembled on one rail, once you try to open the case will flip over.