

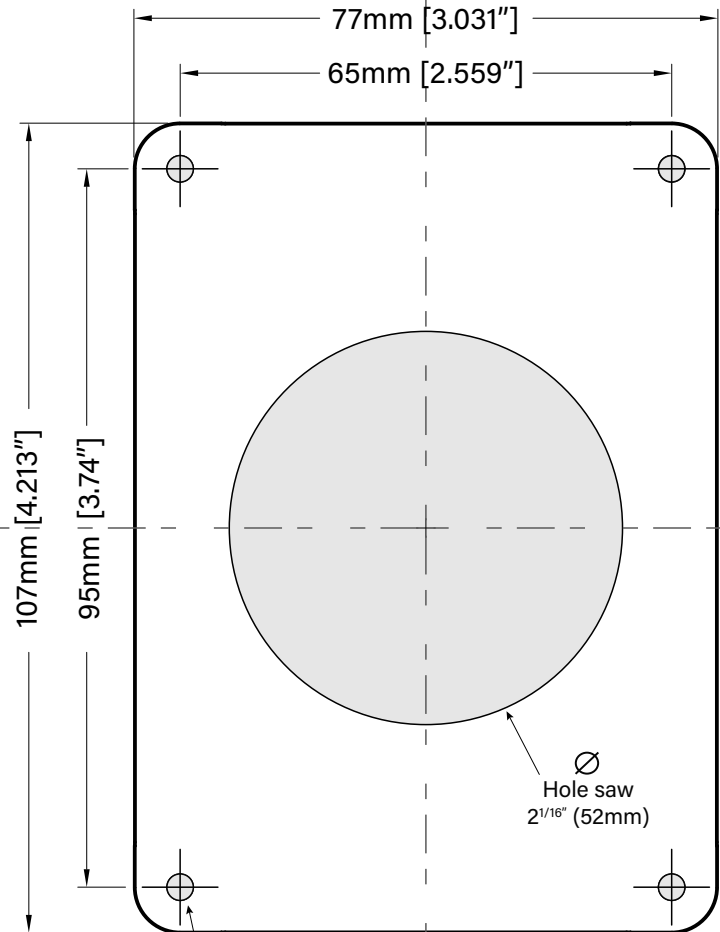
Mounting template



ORIENTATE UPWARD FOR
PORTRAIT KEYPAD

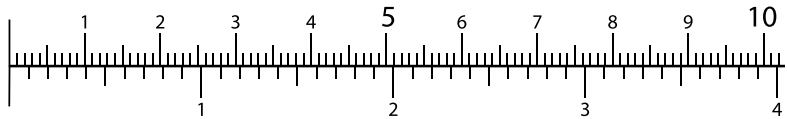


ORIENTATE UPWARD FOR
LANDSCAPE KEYPAD

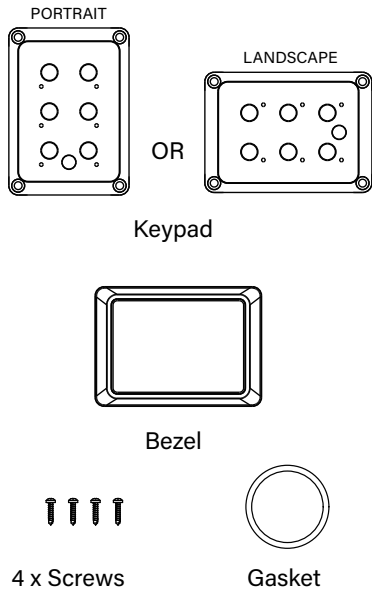


Ø #29 drill (3.40 to 3.45mm)
Or drill pilot hole to suit 4mm self tapping screw

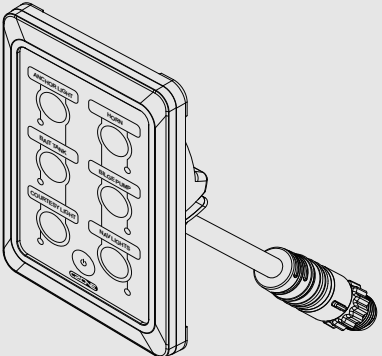
Please check scale before using



Parts in the box

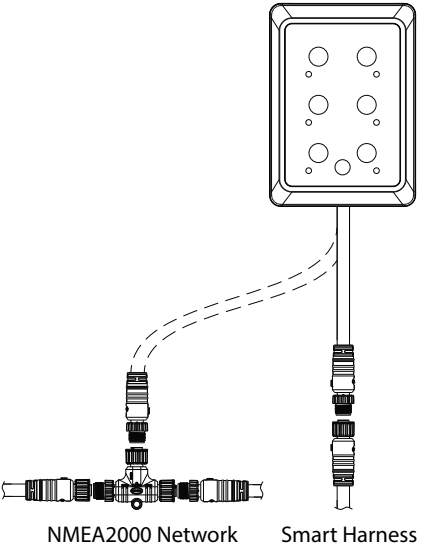


Installation Guide

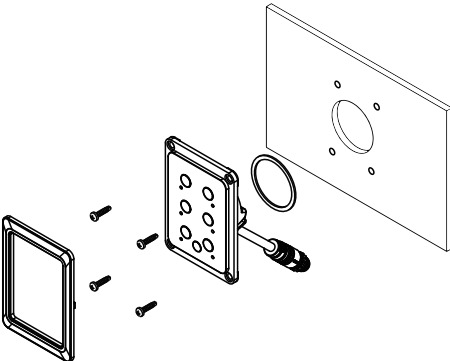


Waterproof Keypad

Wiring



Installation



1. Drill dash cutout
2. Set dipswitch
3. Install keypad with gasket
4. Screw keypad to dash
5. Install bezel
6. Connect network cable