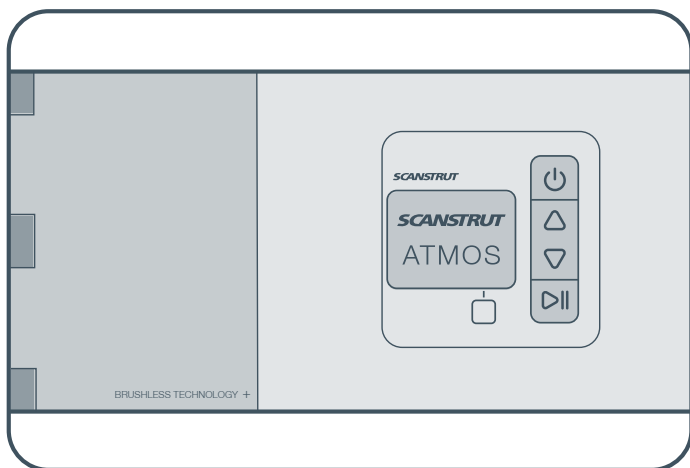


SCANSTRUT

ATMOS



USER MANUAL

Register your ATMOS ownership.

please visit:

scanstrut.com/air/atmos/register

or scan



For translations of this manual.

please visit:

scanstrut.com/air/atmos/manuals-v2

or scan



Table of Contents

Safety Information	4
Product Contents	6
Technical Information	8
Cutting Template.....	9
Mounting Guide.....	10
Location Requirements.....	11
Tools Required.....	12
Installation Instructions.....	13
Power connections.....	14
Screen Display.....	15
Button Functions.....	16
Operating Instructions	17
Inflate Steps.....	18
Deflate Steps.....	19
Door Operation.....	20
Diagnostics	21
Key Technical Data	22
Troubleshooting.....	24
Rectifying Faults.....	25
Care Instructions	26
Frequently Asked Questions	27
Warranty Information	28
Compliance information	31

Important Safety Information

CAUTION.

- Check maximum recommended pressure of the inflatable product before inflating. Exceeding the maximum allowable pressure can damage the inflatable product.
- The purpose of using the product is limited to those described in the instructions.
- Do not remove the hose while inflating. High air pressure can cause serious injury.
- Do not submerge the hose in any liquid.
- Keep the ATMOS door closed when not in use.
- When installing this product ensure the power source is adequately protected by means of a suitably-rated fuse. The product should be powered by a battery with short-circuit protection.
- This appliance can be used by children aged 8 years and above and persons with reduced physical, sensory or mental capabilities or lack of experience and knowledge if they have been given supervision or instruction concerning use of the appliance in a safe way and understand the hazards involved.
- Children shall not play with the appliance.
- Cleaning and user maintenance shall not be made by children without supervision.
- If the supply cord is damaged, it must be replaced by the manufacturer, it's service agent or similarly qualified persons in order to avoid a hazard.
- The product must only be installed by a professional marine electronics installer.

NOTICE.

- Always read manual before installation and use.
- This product contains no user serviceable components. Unauthorized repair will void your warranty.
- If the hose is damaged, do not operate this product, please replace the hose immediately.
- Do not allow the air pump to run for more than 25 minutes.
- Motor overheating can cause internal damage, allow pump to fully cool for 30 minutes after continuous operation for more than 25 minutes.
- If any components are damaged, do not use this product. Please contact your authorised reseller for advice on purchasing a replacement.
- Do not leave ATMOS unattended while inflating or deflating.
- Do not run ATMOS with the door closed.



WARNING.



Warning: Product Installation and Operation

This product must be installed and operated in accordance with the instructions provided. Failure to do so could result in personal injury, damage to your vessel and/or poor product performance.



Warning: Switch Off Power Supply

Ensure the vessel/vehicle power supply is switched OFF before starting to install this product. Do NOT connect or disconnect ATMOS with the power switched on.



Warning: Use 12V DC Power supply ONLY

This product must ONLY be connected to a 12V DC power source. Failure to do so could result in personal injury, damage to your vessel and permanent damage to the unit to the product. This product contains reverse polarity power protection.

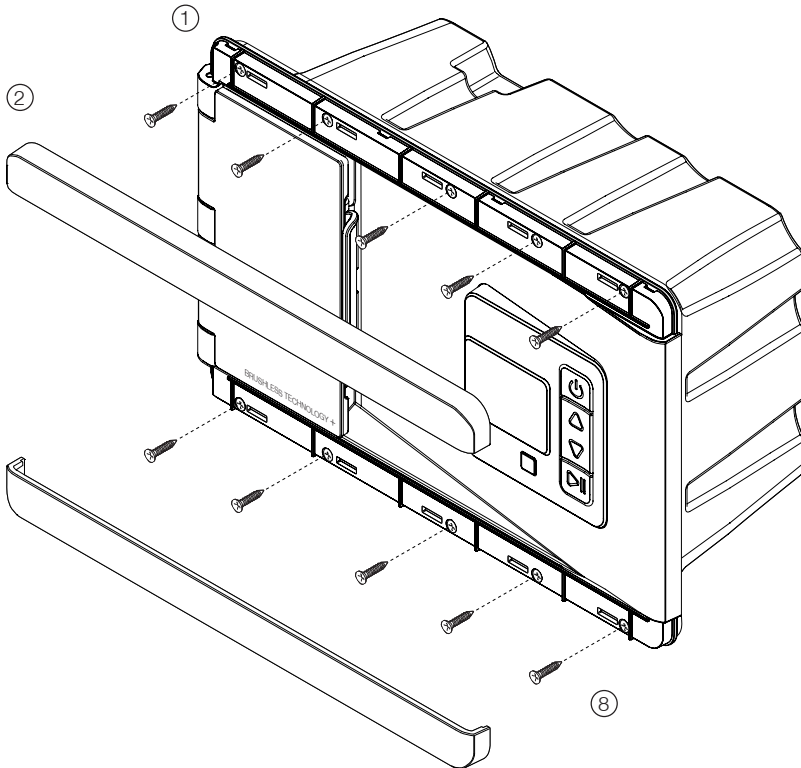


Warning: Do NOT Block Inflation and/or Deflation Ports.

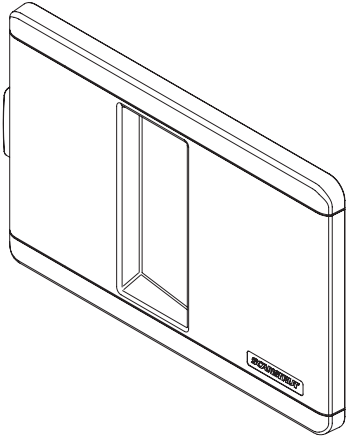
Ensure that the inflation port and deflation port are unobstructed at all times. Failure to do so could result in personal injury, damage to your vessel, and permanent damage to the product.

Product Contents

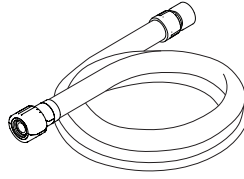
Part List		
No.	Description	Qty
1	ATMOS	1
2	Snap Covers	2
3	Suncover	1
4	Hose	1
5	Hose Bag	1
6	Quick Start Guide	1
7	Mounting Template	1
8	Fixings (see tools required)	10
9	Valve Holder	1



3



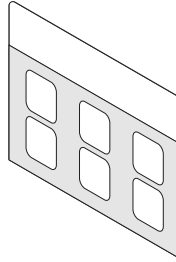
4



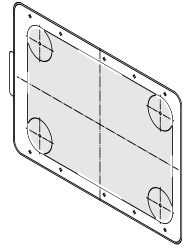
5



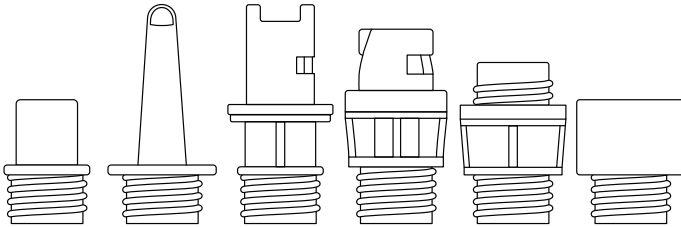
6



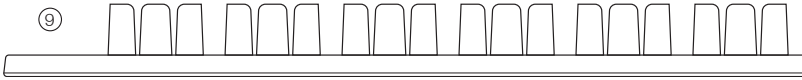
7



Valve Connector Types



9



Boston Valve

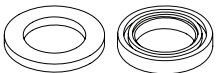
Pinch Valve

805 Valve

H3/HR Valve

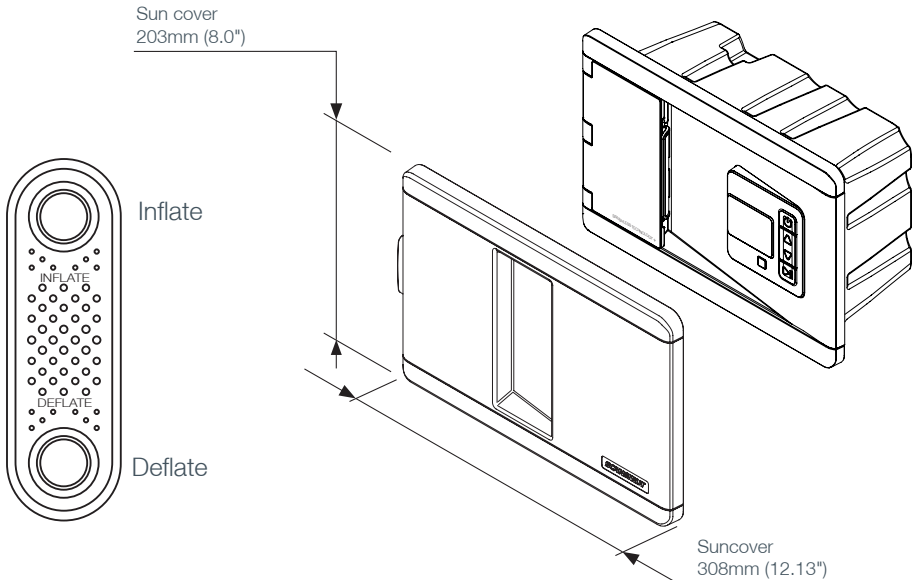
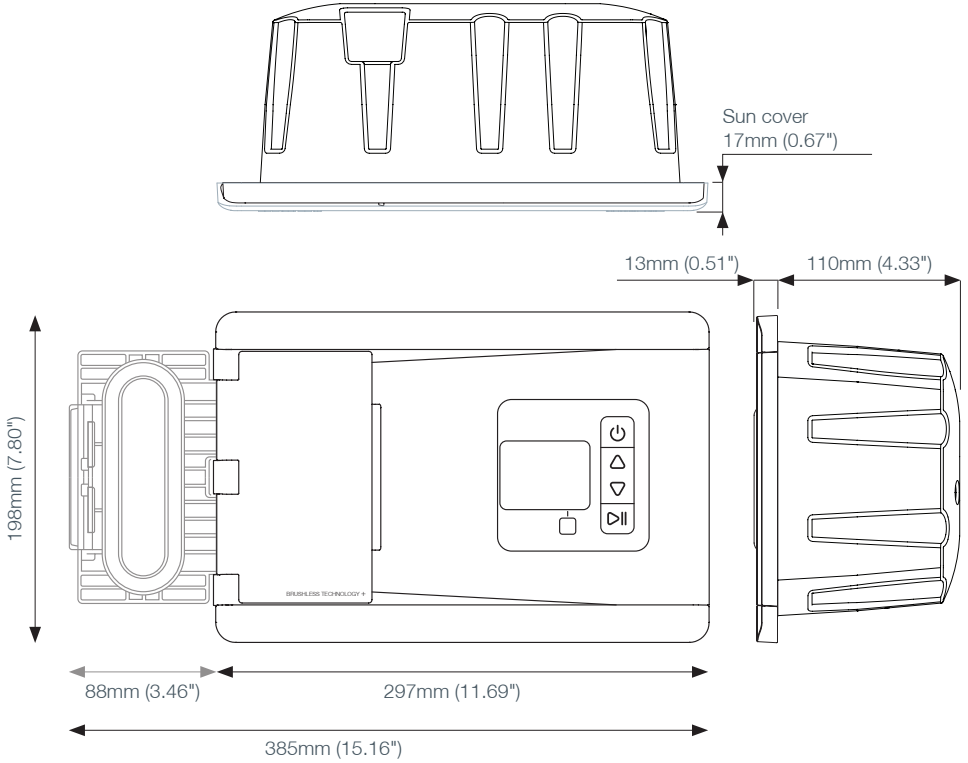
C7 Valve

Ø31mm (1 1/4")
Valve



Rubber seals are preloaded onto valves and can be interchanged between different valve types to achieve an airtight seal.

Technical Information

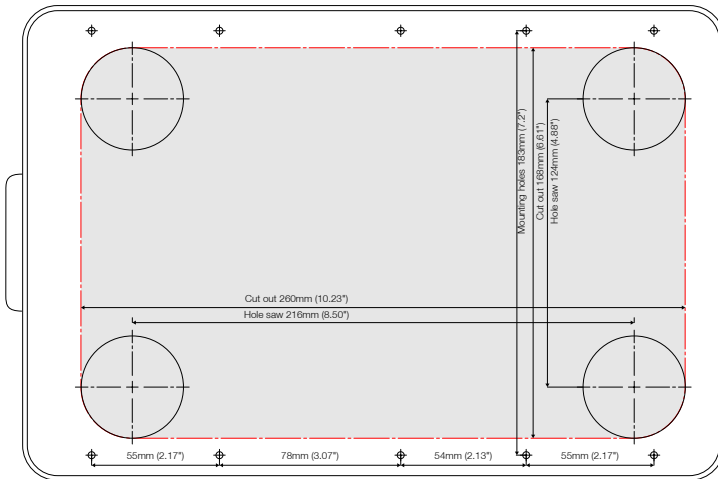


Cutting Template

Included within the box, you will find the cutting template necessary for your ATMOS installation. Alternatively, you can access the template on our website (www.scanstrut.com). To further streamline the process, we offer the option to download the DXF file by simply scanning the QR code provided below.

Please note that proper adherence to the cutting template is essential to ensure optimal performance. Take care to follow the provided instructions and guidelines when using the template during your installation process.

If you have any questions or require additional assistance, please read our FAQs on page 27. Our customer support team is also readily available to provide guidance. You can find our contact details on our website or within the product documentation.

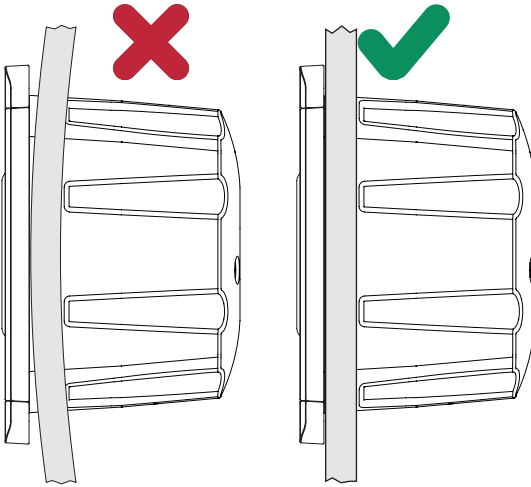


Not to scale.

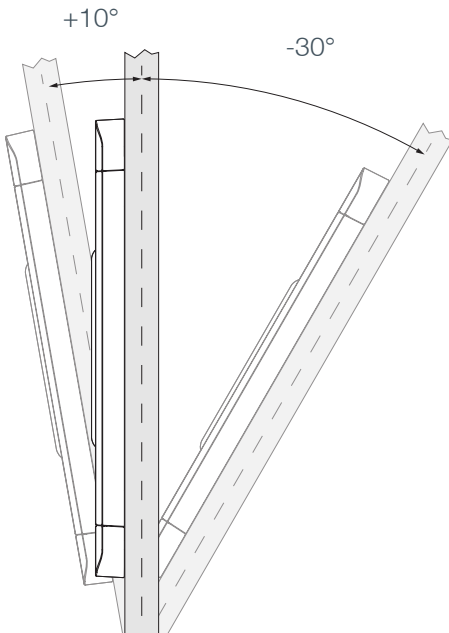
Download the DXF cutting template



Mounting Guide



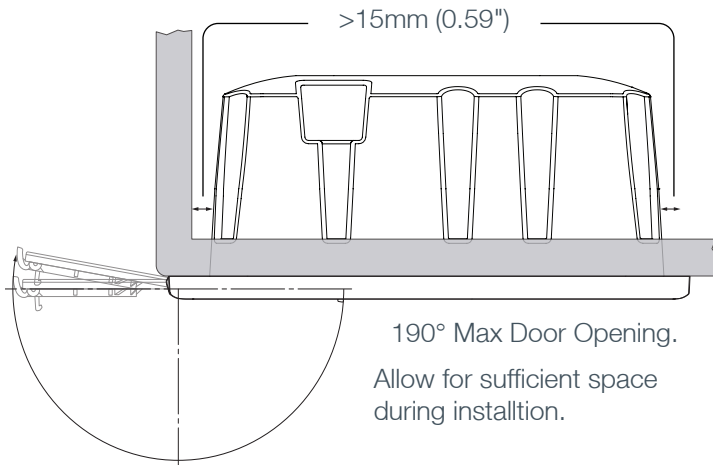
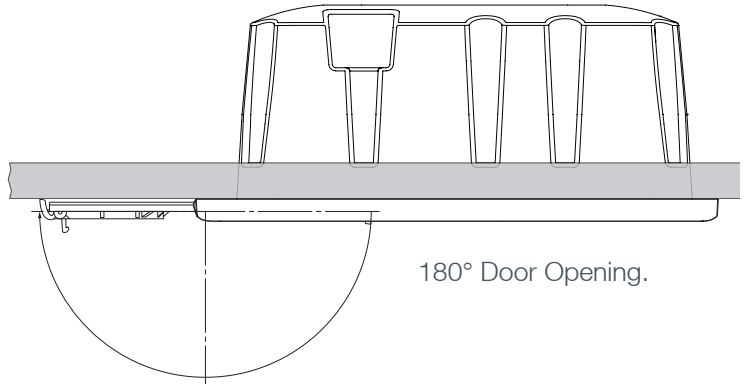
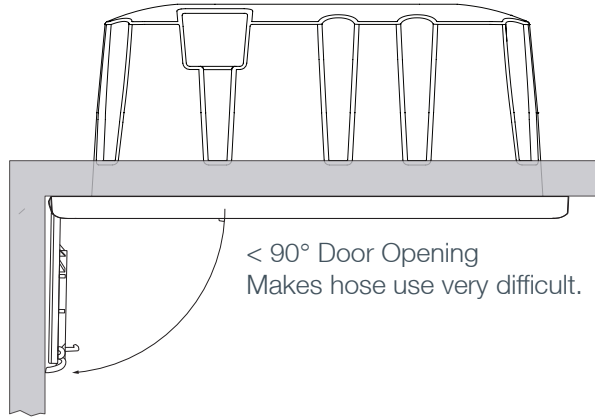
ATMOS must be installed on a flat surface. The chosen surface should be rigid and have a minimum thickness of 3mm/ 0.12". This thickness requirement is essential to provide sufficient support and stability.



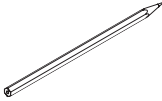
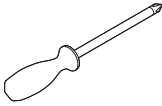
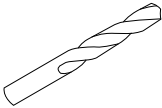
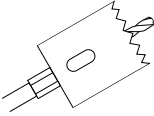
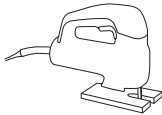
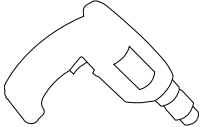
ATMOS must **ONLY** be installed at an angle ranging from +10° to -30° from vertical. This is essential to prevent the accumulation of water in the door chamber or inside the pump housing.

Location Requirements

To allow door to open fully, carefully chose an installation location with sufficient clearance. This will ensure that the product can be used with ease and convenience.



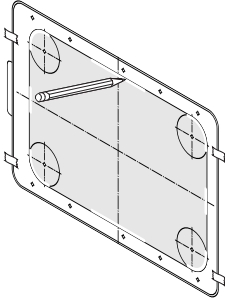
Tools Required

Tools		
 <p>Pencil</p>	 <p>Pozi Screwdriver (Size: PZ1)</p>	 <p>Drill Bit (see table)</p>
 <p>ø44mm (1-3/4") Hole Saw</p>	 <p>Jigsaw</p>	 <p>Power Drill</p>

Drill Size Table		
Material	Drill	Fixing
Soft Material e.g. plywood	2mm (5/64")	No.4 Screw (Included)
Hard Material e.g. Fiberglass, acrylic, hardwood.	2.5mm (3/32")	
Metal e.g. Steel, aluminium	3mm (1/8")	<u>Recommended</u> >20mm x M3 Countersunk Bolt with Washer and Nyloc (Not included)

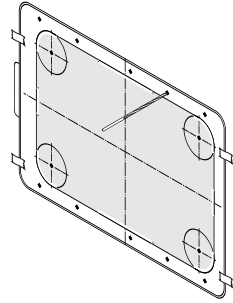
Installation Instructions

1



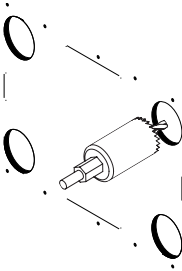
Mark cutting profile.

2



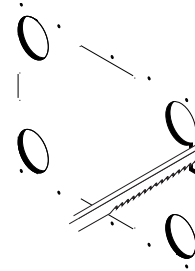
Drill pilot holes (see table).

3



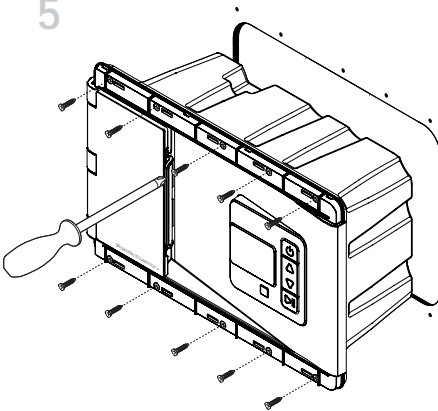
Hole Saw corners.

4



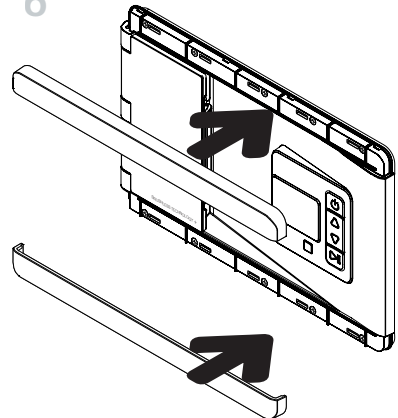
Saw between corners.

5



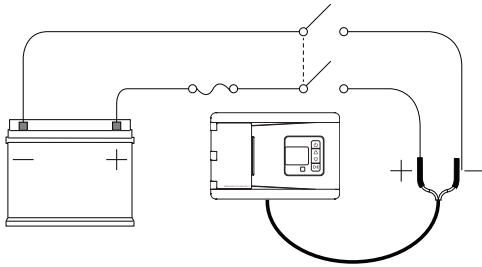
Screw ATMOS in place.

6

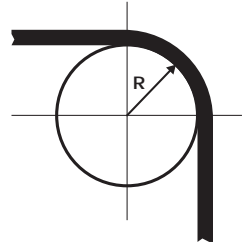


Fix covers in place.

Power Connections



Min Bend Radius



Cable Information

Cable AWG	16
Cable Jacket \varnothing	8.75 \pm 0.25mm
Cable Cross Sectional Area	2x 1.5mm ²
Input Voltage	11.5-14.5V
Max Current Draw	12A (140W)
Cable Length	500mm (20")
Min Bend Radius (R)	54mm (2.12")
Positive Cable (+)	RED
Negative Cable (-)	BLACK
Recommended Connector	DEUTSCH DTP04-2P

NOTICE.






- Mount product in close proximity to the battery.
- Check battery health before installation.
- A switch or disconnection is to be incorporated into the fixed wiring when installing the product.

Screen Display



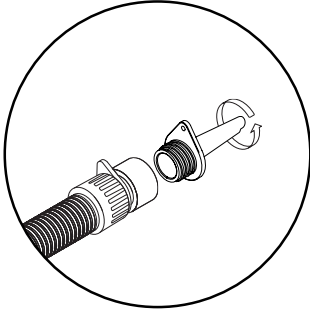
Display		
No.	Item	Description
1	Pressure / warning display	ATMOS features an LCD display with a wide viewing angle, ensuring a clear view of read-out.
2	Voltage display	ATMOS features a Live Voltage readout, enabling you to conveniently monitor your battery level.
3	Pressure units	Press the pressure unit button below the LCD display to select your desired pressure unit - either 'PSI' or 'BAR'.

Button Functions

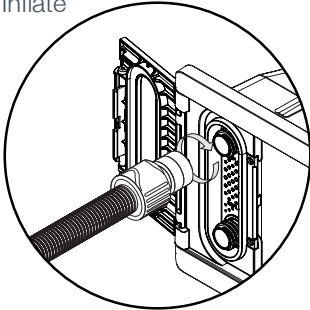
Button	Function
	Power On / Off
	Increase Target Pressure
	Decrease Target Pressure
	Confirm / Start / Stop
	PSI / BAR Selector

Operating Instructions

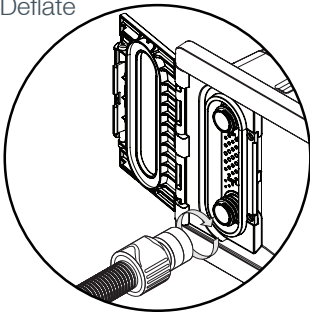
Attach Connector



Inflate



Deflate



Inflate

1. Press and HOLD power button to turn on.
2. Press start/stop button to set pressure.
3. Attach the correct valve connector and seal for your inflatable to the end of your hose, turn clockwise to tighten it.
4. Connect the hose to your inflatable and fix it by turning clockwise.
5. Open ATMOS door and connect the other end of your hose to ATMOS' inflate port, turn it clock wise to tighten.
6. Check recomended inflatable pressure.
7. Use the square button below the screen to select either "PSI" or "BAR".
8. Use the arrows to set target pressure, depending on your inflatable's requirements.
9. Press the start/stop button to confirm your target pressure.
10. Press start/stop to begin inflating.
11. Once your inflatable reaches the set pressure value it will automatically stop.
12. Remove and store hose, press and hold power button to turn off.

Deflate

1. Connect hose to the DEFLATE port.
2. Connect hose to inflatable
3. Press the Play/Pause button of ATMOS to start venting until all the air is discharged, then the power can be turned off.
4. When inflatable is fully deflated press Play/Pause button.
5. Remove and store hose, press and hold power button to turn off.

NOTICE.

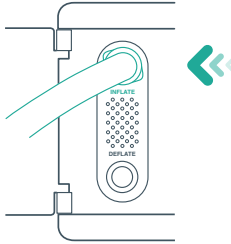
- If not getting to target pressure, check connector seal connection with inflatable.
- To pause ATMOS inflating or deflating, press confirm / start / stop button.
- Please find more information on our troubleshooting page 24.

How to Inflate

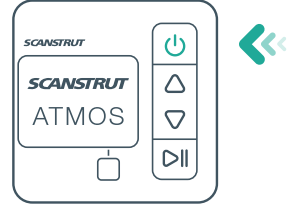
1 **Attach** correct hose adaptor for inflatable.



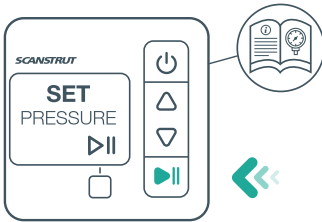
2 **Connect** hose to **INFLATE** port.



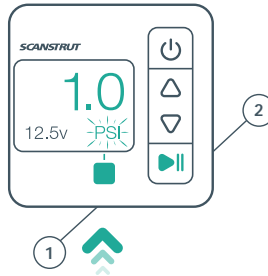
3 **Press and hold** to turn on.



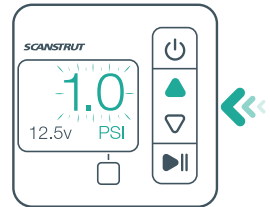
4 **Check** recommended inflatable pressure.



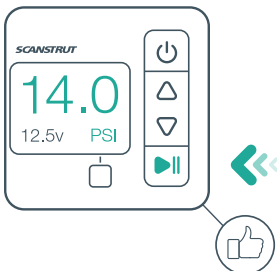
5 **Select** PSI or BAR and **confirm**.



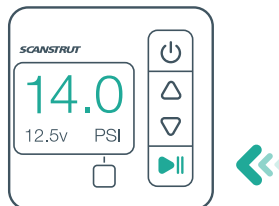
6 **Set** target pressure.



7 **Confirm** INFLATE pressure.



8 **Start INFLATING!**
ATMOS stops when target pressure reached.

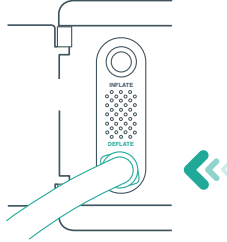


How to Deflate

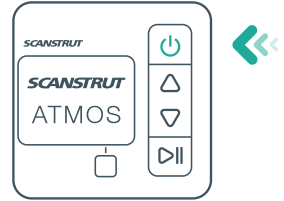
1 **Attach** correct hose adaptor for inflatable.



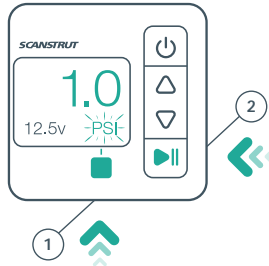
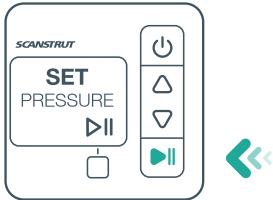
2 **Connect** hose to **DEFLATE** port.



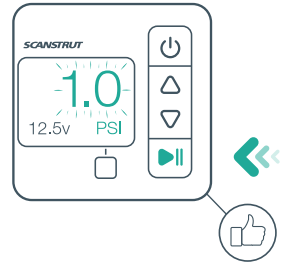
3 **Press and hold** to turn on.



4 **Press** to confirm **DEFLATE**. 5 **Select** PSI or BAR and **confirm**.

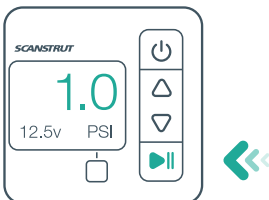


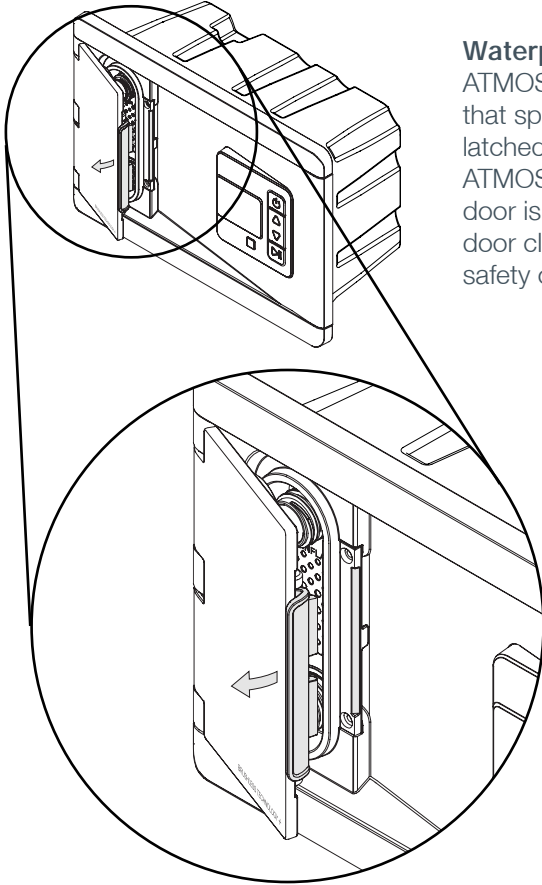
6 **Confirm** low pressure at 1.0 PSI/ 0.7 BAR.



7 **Start DEFLATING!**

Need more **information?**
Scan QR code.





Waterproof Door



ATMOS features an IPX6 waterproof door that springs open and must be manually latched closed. It is important to note that ATMOS is only IPX6 waterproof when the door is fully closed. It is advised to keep the door closed when not in use to ensure the safety of your product.

NOTICE.

When not in use, remove the hose from ATMOS and inflatable, then store it in the net storage bag provided in a cool, dry place.

Pressure Conversion		
PSI	BAR	KPA
1	0.068	6.89
5	0.34	34
10	0.7	70
15	1.03	103
20	1.4	140

Diagnostics

Name of Fault	Symbol	Description of Fault	Action
Input Voltage		Input voltage is too high or low.	Ensure voltage is between 11.5-14.5V.
Over Temperature		Thermal shut off reached, internal temperature is too high.	Wait for product to return to operating temperature.

Key Technical Data



Performance	
Time to inflate 10ft 6" SUP to 20 PSI	6 to 8 mins
Time to inflate towable to 1.5 PSI	> 3 mins ≈
Time to deflate 10ft 6" SUP	> 1 min ≈
Time to deflate towable	> 1 min ≈
Time to inflate a swim platform to 5 PSI	> 16 mins ≈
Time to inflate a 12ft dinghy to 3 PSI	> 13 min ≈
Screen	LCD, high brightness and colour, daylight viewable, wide viewing angle
Screen Information	PSI or BAR; pre-set pressure; voltage readout
Stand-by mode	No activity auto power-off at 5 mins
Auto shut-off	At target pressure

Technical	
Max pressure	20 PSI / 1.37 BAR
Max volume of airflow 0-1 PSI	350 LPM/12.3 CFM
Max volume of airflow 1-20 PSI	70 LPM/2.5 CFM
Included valve connectors	Boston Valve, C7 Valve, H3/HR Valve, Pinch Valve, 805 Valve
Length of hose included	2.5m (8ft). Includes net storage bag
Input voltage	12V Battery system (11.5 – 14.5V)
Max current draw	12A (140W)
Standby power draw	0.1W Max
Two stage pump	Stage 1 = 0 - 1 PSI Stage 2 = 1 - 20 PSI
Ambient operating temp	-20° to +50 °C
Max run time per session	25 mins
Max noise level (unmounted)	85 dB

Installation	
How?	Panel mounted using self-tapping screws. Or bolts (not included).
Where?	Fit into a wide variety of locations on board: seating, side panels or consoles. Min cavity depth 110mm (4.33")
Installation angle?	+ 10° to - 30° from vertical
Service?	No end-user serviceable parts
Ignition protected?	Yes, ATMOS SC-AOB-A2 meets the ISO 8846 and SAE J1171 test standard for Ignition Protection.

Environment	
Protection	Reverse polarity, short-circuit, under voltage, overload, over temp.
Environmental protection	Conformal coated electronics and PCB
Certifications	CE, ROHS, UN ECE R10, UKCA
Cable length	500mm (20") 2x 1.5mm ² 16 AWG
Waterproof rating	IPX6 front and rear (door closed)
Air flow	In and out of front of unit only. Rear of unit sealed

Troubleshooting

Fault	Display	Potential Cause	Remedy
ATMOS does not switch on	None	Not installed correctly	Check fuse and wire connection.
		Not enough voltage being delivered to ATMOS	Check health of battery.
ATMOS stops working during inflation / deflation		Over heating	Wait for product to cool down for 20-30 mins.
ATMOS on, but not working	None	Electrical fault	Contact authorized reseller or dealer.
Inflatable not reaching required pressure	N/A	Air leak	Check hose is tightened correctly on to inflate port.
			Check connector seal with inflatable, then try changing rubber seal included with other connectors.
			Check inflatable for punctures.
			Check ATMOS hose for punctures.
			Check valve seals are present in each end of the hose.
ATMOS does not go above 1PSI	Current inflatable pressure	Input Voltage too low.	Confirm Power supply is stable, ensure ATMOS is receiving a minimum of 12.0V.
ATMOS Switches off while inflating/ deflating large inflatable	Original set pressure	While pump is running, ATMOS is programmed to switch off after 5 mins of no pressure change. This is a safety feature incase left unattended.	Whilst inflating/deflating large inflatables, it may be necessary to re-start ATMOS after 5 mins.

Rectifying Faults

In the rare event that you encounter a fault with your ATMOS that cannot be resolved through troubleshooting or the instructions provided in this manual, we recommend getting in touch with the authorized reseller or dealer where you purchased ATMOS.

Please provide them with the following information:

1. Product model and batch number, which can be found on the label located on the back of the product.
2. Detailed description of the fault: explain the issue you are experiencing, including any error messages or abnormal behavior observed.
3. Steps taken: describe the steps you have already attempted to troubleshoot the issue, following the instructions provided in the manual.

The authorized reseller or dealer will guide you through the next steps. Please note that any repairs or replacements may be subject to the terms and conditions outlined in your product warranty.

If you have any general enquiries or need assistance, you can also contact our customer support team. You can find their contact details at www.scanstrut.com.

Alternatively, scan the QR code below and fill out our contact form. Our customer service support team will be in touch within 1 working day.

Help Center



Care Instructions

Suncovers

To protect your product from the harmful effects of ultraviolet (UV) light, always use the supplied suncover when the product is not in use. However, it is important to remove the suncover when traveling at high speeds to prevent potential loss.

Routine Checks

- Examine cables and hoses for signs of damage.
- Check cable is securely connected.
- Check hose valve seals are in place.

Cleaning

- Use a damp cloth to wipe clean.
- Do NOT use abrasive, acid, solvent or other chemical based products.
- Do NOT jet wash.

Cleaning Display Screen

The display does not require regular cleaning. If cleaning the display becomes necessary, please follow these steps:

- Switch off the power to the display.
- Wipe the screen with a clean, lint-free cloth.
- If there are any grease marks, you can use a mild detergent to remove them.

FAQs

Q. How long is the hose that is supplied?

A. ATMOS is supplied with a 2.5m/8ft hose.

Q. Is ATMOS waterproof?

A. Yes, ATMOS is IPX6 waterproof with the door closed. It has been designed to use onboard a boat or RV.

Q. What power supply does ATMOS require?

A. ATMOS needs a 12V input voltage to work.

Q. What can ATMOS inflate?

A. ATMOS has been designed to inflate and deflate paddleboards, towables, tenders, dinghies, swim platforms, fenders and more.

Q. What connectors are included in the box?

A. Boston Valve, C7 Valve, H3/HR Valve, Pinch Valve, 805 Valve, Ø31mm (1 1/4") Valve

Q. What maximum inflate pressure can ATMOS deliver?

A. 20PSI / 1.37 BAR

Q. Can you install ATMOS anywhere on the boat / RV?

A. Yes. ATMOS is an ignition protected device.

Q. Do I need to service ATMOS?

A. No. ATMOS does not have any end-user serviceable parts and is covered by a 2-year limited warranty.

Q. Can I install ATMOS at any angle?

A. No. ATMOS must to be installed at a max of +10 to -30° from vertical (See page 10).

Q. What length is the power cable?

A. ATMOS is fitted with a 500mm (20") 2x 1.5mm² 16 AWG cable.

Warranty Information

SCANSTRUT INC. LIMITED WARRANTY

Scanstrut Inc., a Private limited Company with principal address at Scanstrut Inc., a Delaware Corporation with principal address at 7 Pequot Park Road, Unit 303, Westbrook, CT 06498, USA (the "SELLER"), warrants that the equipment and equipment parts manufactured by Seller (the "Product") and sold or provided to the first end user ("BUYER") are produced according to usual practices, customs, standards, specifications and tolerances of trade prevailing in the country of origin at the time of production and shall, subject to the limitations and exclusions set forth below, be free from defects in design, material, and workmanship.

INSTALLATION, PAYMENT AND MAINTENANCE REQUIREMENTS

This Limited Warranty applies only if:

1. The Product is used properly and is operated in accordance with the SELLER's instruction as furnished to BUYER at the time of purchase;
2. The Product has been installed and used with all factory-supplied parts and has been regularly inspected for evidence of damage or loose parts.
3. The person filing the warranty claim is the first end user of the Product;
4. BUYER complies with all other sections of this Limited Warranty.

PROCEDURE FOR OBTAINING WARRANTY SERVICE

The procedure described in Section 2 shall hereinafter be referred to as the "Warranty Claim Procedures." For the Limited Warranty to apply, BUYER must completely fill out and deliver to the SELLER a warranty claim fully describing the alleged defects or failures of the Product and original proof of purchase within the Warranty Period (defined in Section 4) and within Three (3) business days of the date BUYER discovered the alleged defect. Notwithstanding the foregoing, in the event that SELLER determines, in its sole discretion, that BUYER reasonably should have discovered the alleged defect before its actual discovery, this Limited Warranty shall not apply.

In order to determine whether the Limited Warranty should apply, BUYER shall provide any information to SELLER, including photographs where applicable, via telephone, email or any other appropriate means of communication. In the event the defect is covered by the Limited Warranty, SELLER may, at its sole option, require that the defective Product be shipped to the address provided by SELLER with mailing or shipping charges prepaid. BUYER shall pay all expenses associated with returning the Product to SELLER, including, without limitation, the costs of shipment, import taxes, duties and tariffs if applicable. If SELLER determines that the returned Product is covered by the Limited Warranty, SELLER agrees to pay all expenses of returning repaired or replaced Product to BUYER.

WARRANTY SERVICES PROVIDED

If the Product is proved to SELLER's satisfaction to be defective, within the Warranty Period (defined in Section 4), SELLER's obligations under this Limited Warranty shall be limited to either repairing or replacing the Product, at SELLER's sole discretion, and only if such defect was caused solely by defective design, workmanship and/or materials. Such repair or replacement shall be SELLER's sole obligation and BUYER's exclusive remedy hereunder, and shall be conditioned upon BUYER's fulfilling its obligations under SELLER's Warranty Claim Procedures.

WARRANTY PERIOD

This Limited Warranty of Product applies to each product category as defined and available on Scanstrut website (<https://www.scanstrut.com/>) (the "Product Category") for the periods defined in the table below

Product Category: Air On-Board
Warranty Period: Twenty-Four (24) months

The warranty period applies from the date the Product is sold, rented, leased, or donated to the first end user (the "Warranty Period"). The Warranty Period shall not be tolled for any reason. No action by SELLER or BUYER shall operate to extend or revive this Limited Warranty without the prior written consent of SELLER.

EXCLUSIONS FROM WARRANTY

The following is not included under this Limited Warranty:

1. Scratches, dents, marks or other visible surface wear on the Product, unless SELLER is notified as soon as the Product is received by the BUYER;
2. Normal wear and tear from everyday use;
3. Misuse or abuse by the BUYER, including any use, assemblage, use in combination with any external product or device other than the Product, and other than specifically instructed and recommended by SELLER;
4. Physical damage to the Product as a result of tampering, mishandling, neglect, modification or repair without the approval of UKSELLER, unreasonable use and/or negligence of the BUYER whether foreseeable by SELLER or not;
5. Items, equipment, goods, products, components, and parts not sold by SELLER, including, but not limited to, any personal belonging, radar, satcom antenna, VHF aerial, GPS, inflatable, cellphone or other telecommunication device connected by, or on behalf of, the BUYER to the SELLER's product;
6. Damage to Products caused by the carrier during shipping or by the installer during installation;
7. Deterioration resulting from age, storage, weathering, or lack of use;
8. Continued Product use after an alleged defect is discovered or should reasonably have been discovered;
9. Improper installation of any kind by BUYER or any person; and,
10. Damage to Product caused by fire, storm or other acts of God.

SELLER expressly reserves the right to inspect the Product and its components, parts, and BUYER's installation, use, maintenance, and any other activity or inactivity of the BUYER, when determining whether an alleged Product defect is covered by the Limited Warranty.

LIMITATIONS ON WARRANTY; DISCLAIMER OF WARRANTIES

This Limited Warranty is provided by SELLER, and it contains the only express warranty provided to BUYER by SELLER. SELLER does not authorize any other person, including distributors, to give any other warranties on SELLER's behalf.

SELLER DISCLAIMS ANY EXPRESS WARRANTY NOT PROVIDED HEREIN AND ANY IMPLIED WARRANTY, GUARANTEE OR REPRESENTATION AS TO PERFORMANCE, QUALITY AND ABSENCE OF HIDDEN DEFECTS, AND ANY REMEDY FOR BREACH OF WARRANTY OR CONTRACT, WHICH BUT FOR THIS PROVISION, MIGHT ARISE BY IMPLICATION, OPERATION OF LAW, CUSTOM OF TRADE OR COURSE OF DEALING,

INCLUDING IMPLIED WARRANTIES OF MERCHANTABILITY AND FITNESS FOR A PARTICULAR PURPOSE.

Implied warranties in jurisdictions where they may not be disclaimed shall be in effect only for the duration of the express warranty set forth herein.

If BUYER has a claim under this Limited Warranty or under any implied warranties provided to BUYER by state law, BUYER may not file a court action based on that claim any later than one (1) year after BUYER's right to file a court action accrues. In those states which do not allow this limitation on the time period for filing a court action, this provision is inapplicable.

SELLER'S LIMITATION OF LIABILITY

SELLER's liability with respect to the Product sold to BUYER shall be limited to the warranty provided herein. SELLER SHALL NOT BE SUBJECT TO ANY OTHER OBLIGATIONS OR LIABILITIES, WHETHER ARISING OUT OF BREACH OF CONTRACT, WARRANTY, TORT (INCLUDING NEGLIGENCE AND STRICT LIABILITY) OR OTHER THEORIES OF LAW, WITH RESPECT TO PRODUCTS SOLD OR SERVICES RENDERED BY SELLER, OR ANY UNDERTAKING, ACTS OR OMISSIONS RELATING THERETO.

Without limiting the foregoing, SELLER SPECIFICALLY DISCLAIMS ANY LIABILITY FOR PROPERTY OR PERSONAL INJURY DAMAGES, PENALTIES, SPECIAL OR PUNITIVE DAMAGES, DAMAGES FOR LOST PROFITS OR REVENUES, SERVICES, DOWN TIME, SHUT DOWN OR SLOW DOWN COSTS, OR FOR ANY OTHER TYPES OF ECONOMIC LOSS, AND FOR CLAIMS OF BUYER'S CUSTOMERS OR ANY THIRD PARTY FOR ANY SUCH DAMAGES. SELLER SHALL NOT BE LIABLE FOR AND DISCLAIMS ALL CONSEQUENTIAL, INCIDENTAL AND CONTINGENT DAMAGES WHATSOEVER. THE SELLER'S TOTAL LIABILITY ARISING IN CONNECTION WITH THE PRODUCT SHALL BE LIMITED TO THE VALUE OF THE PRODUCT SOLD TO BUYER.

The SELLER's total liability in contract, tort (including negligence or breach of statutory duty), misrepresentation, restitution, or otherwise, arising in connection with the performance or contemplated performance of the contract between SELLER and BUYER shall be limited to the price paid for the Products.

MISCELLANEOUS

Any description of the Product, whether in writing or made orally by SELLER or SELLER's agents, specifications, samples, models, bulletins, drawings, diagrams or similar materials used in connection with BUYER's order, are for the sole purpose of identifying the Product and shall not be construed as an express warranty. Any suggestions by SELLER or SELLER's agents regarding use, application, or suitability of the Product shall not be construed as an express warranty unless confirmed in writing by SELLER to be such.

SCANSTRUT LTD. LIMITED WARRANTY

Scanstrut Ltd., a Private limited Company with principal address at Dart Business Park, Clyst St George, Exeter, Devon, UK (the "SELLER"), warrants that the equipment and equipment parts manufactured by Seller (the "Product") and sold or provided to the first end user ("BUYER") are produced according to usual practices, customs, standards, specifications and tolerances of trade prevailing in the country of origin at the time of production and shall, subject to the limitations and exclusions set forth below, be free from defects in design, material, and workmanship.

INSTALLATION, PAYMENT AND MAINTENANCE REQUIREMENTS

This Limited Warranty applies only if:

1. The Product is used properly and is operated in accordance with the SELLER's instruction as furnished to BUYER at the time of purchase;
2. The Product has been installed and used with all factory-supplied parts and has been regularly inspected for evidence of damage or loose parts;
3. The person filing the warranty claim is the first end user of the Product;
4. BUYER complies with all other sections of this Limited Warranty.

PROCEDURE FOR OBTAINING WARRANTY SERVICE

The procedure described in Section 2 shall hereinafter be referred to as the "Warranty Claim Procedures." For the Limited Warranty to apply, BUYER must completely fill out and deliver to the SELLER a warranty claim fully describing the alleged defects or failures of the Product and original proof of purchase within the Warranty Period (defined in Section 4) and within Three (3) business days of the date BUYER discovered the alleged defect. Notwithstanding the foregoing, in the event that SELLER determines, in its sole discretion, that BUYER reasonably should have discovered the alleged defect before its actual discovery, this Limited Warranty shall not apply.

In order to determine whether the Limited Warranty should apply, BUYER shall provide any information to SELLER, including photographs where applicable, via telephone, email or any other appropriate means of communication. In the event the defect is covered by the Limited Warranty, SELLER may, at its sole option, require that the defective Product be shipped to the address provided by SELLER with mailing or shipping charges prepaid. BUYER shall pay all expenses associated with returning the Product to SELLER, including, without limitation, the costs of shipment, import taxes, duties and tariffs if applicable. If SELLER determines that the returned Product is covered by the Limited Warranty, SELLER agrees to pay all expenses of returning repaired or replaced Product to BUYER.

WARRANTY SERVICES PROVIDED

If the Product is proved to SELLER's satisfaction to be defective, within the Warranty Period (defined in Section 4), SELLER's obligations under this Limited Warranty shall be limited to either repairing or replacing the Product, at SELLER's sole discretion, and only if such defect was caused solely by defective design, workmanship and/or materials. Such repair or replacement shall be SELLER's sole obligation and BUYER's exclusive remedy hereunder, and shall be conditioned upon BUYER's fulfilling its obligations under SELLER's Warranty Claim Procedures.

WARRANTY PERIOD

This Limited Warranty of Product applies to each product category as defined and available on Scanstrut website (<https://www.scanstrut.com/>) (the "Product Category") for the periods defined in the table below

Product Category: Air On-Board
Warranty Period: Twenty-Four (24) months

The warranty period applies from the date the Product is sold, rented, leased, or donated to the first end user (the "Warranty Period"). The Warranty Period shall not be tolled for any reason. No action by SELLER or BUYER shall operate to extend or revive this Limited Warranty without the prior written consent of SELLER.

EXCLUSIONS FROM WARRANTY

The following is not included under this Limited Warranty:

Scratches, dents, marks or other visible surface wear on the Product, unless SELLER is notified as soon as the Product is received by the BUYER;

1. Normal wear and tear from everyday use;
2. Misuse or abuse by the BUYER, including any use, assemblage, use in combination with any external product or device other than the Product, and other than specifically instructed and recommended by SELLER;
3. Physical damage to the Product as a result of tampering, mishandling, neglect, modification or repair without the approval of SELLER, unreasonable use and/or negligence of the BUYER whether foreseeable by SELLER or not;
4. Items, equipment, goods, products, components, and parts not sold by SELLER, including, but not limited to, any personal belonging, radar, satcom antenna, VHF aerial, GPS, inflatable, cellphone or other telecommunication device connected by, or on behalf of, the BUYER to the SELLER's product;
5. Damage to Products caused by the carrier during shipping or by the installer during installation;
6. Deterioration resulting from age, storage, weathering, or lack of use;
7. Continued Product use after an alleged defect is discovered or should reasonably have been discovered;
8. Improper installation of any kind by BUYER or any person; and,
9. Damage to Product caused by fire, storm or other acts of God.

SELLER expressly reserves the right to inspect the Product and its components, parts, and BUYER's installation, use, maintenance, and any other activity or inactivity of the BUYER, when determining whether an alleged Product defect is covered by the Limited Warranty.

LIMITATIONS ON WARRANTY; DISCLAIMER OF WARRANTIES

This Limited Warranty is provided by SELLER, and it contains the only express warranty provided to BUYER by SELLER. SELLER does not authorize any other person, including distributors, to give any other warranties on SELLER's behalf.

SELLER DISCLAIMS ANY EXPRESS WARRANTY NOT PROVIDED HEREIN AND ANY IMPLIED WARRANTY, GUARANTY OR REPRESENTATION AS TO PERFORMANCE, QUALITY AND ABSENCE OF HIDDEN DEFECTS, AND ANY REMEDY FOR BREACH OF WARRANTY OR CONTRACT, WHICH BUT FOR THIS PROVISION, MIGHT ARISE BY IMPLICATION, OPERATION OF LAW, CUSTOM OF TRADE OR COURSE OF DEALING, INCLUDING IMPLIED WARRANTIES OF MERCHANTABILITY AND FITNESS FOR A PARTICULAR PURPOSE.

Implied warranties in jurisdictions where they may not be disclaimed shall be in effect only for the duration of the express warranty set forth herein.

If BUYER has a claim under this Limited Warranty or under any implied warranties provided to BUYER by state or applicable law, BUYER may not file a court action based on that claim any later than one (1) year after BUYER's right to file a court action accrues. In those states or countries which do not allow this limitation on the time period for filing a court action, this provision is inapplicable.

SELLER'S LIMITATION OF LIABILITY

SELLER's liability with respect to the Product sold to BUYER shall be limited to the warranty provided herein. SELLER SHALL NOT BE SUBJECT TO ANY OTHER OBLIGATIONS OR LIABILITIES, WHETHER ARISING OUT OF BREACH OF CONTRACT, WARRANTY, TORT (INCLUDING NEGLIGENCE AND STRICT LIABILITY) OR OTHER THEORIES OF LAW, WITH RESPECT TO PRODUCTS SOLD OR SERVICES RENDERED BY SELLER, OR ANY UNDERTAKING, ACTS OR OMISSIONS RELATING THERETO.

Without limiting the foregoing, SELLER SPECIFICALLY DISCLAIMS ANY LIABILITY FOR PROPERTY OR PERSONAL INJURY DAMAGES, PENALTIES, SPECIAL OR PUNITIVE DAMAGES, DAMAGES FOR LOST PROFITS OR REVENUES, SERVICES, DOWN TIME, SHUT DOWN OR SLOW DOWN COSTS, OR FOR ANY OTHER TYPES OF ECONOMIC LOSS, AND FOR CLAIMS OF BUYER'S CUSTOMERS OR ANY THIRD PARTY FOR ANY SUCH DAMAGES. SELLER SHALL NOT BE LIABLE FOR AND DISCLAIMS ALL CONSEQUENTIAL, INCIDENTAL AND CONTINGENT DAMAGES WHATSOEVER. THE SELLER'S TOTAL LIABILITY ARISING IN CONNECTION WITH THE PRODUCT SHALL BE LIMITED TO THE VALUE OF THE PRODUCT SOLD TO BUYER.

The SELLER's total liability in contract, tort (including negligence or breach of statutory duty), misrepresentation, restitution, or otherwise, arising in connection with the performance or contemplated performance of the contract between SELLER and BUYER shall be limited to the price paid for the Products.

MISCELLANEOUS

Any description of the Product, whether in writing or made orally by SELLER or SELLER's agents, specifications, samples, models, bulletins, drawings, diagrams or similar materials used in connection with BUYER's order, are for the sole purpose of identifying the Product and shall not be construed as an express warranty. Any suggestions by SELLER or SELLER's agents regarding use, application, or suitability of the Product shall not be construed as an express warranty unless confirmed in writing by SELLER to be such.

Compliance, Regulations and Standards

We can confirm that this product complies with relevant safety standards, regulations, and certifications.

Compliance statements



Scanstrut Ltd, declares the product 'ATMOS 12V Brushless Integrated Air Station' SKU SC-AOB-A2 is in compliance with Low Voltage Directive (2014/35/EU) & EMC Directive (2014/30/EU). The CE certificate of compliance can be found at: www.scanstrut.com/uk/compliance.

Product Disposal



This marking indicates that this product should not be disposed with other household waste throughout the EU. To prevent possible harm to the environment or human health through uncontrolled waste disposal, recycle it responsibly to promote the sustainable reuse of material resources. To return your used device, please contact the retailer where the product was purchased. They can dispose of this product using environmentally safe methods.

Test Standards



Our testing standard at Scanstrut is encapsulated by the acronym SCA, which stands for Safe, Certified, and Approved. With over 35 years of experience and expertise in designing products for outdoor use, we design our products to be able to thrive in the harshest of outdoor environments. To find out more visit <https://www.scanstrut.com/about-us/testing-ethos>

Markings required by law.



Technical Accuracy

To the best of our knowledge, the information in this document was correct at the time it was produced. However, Scanstrut cannot accept liability for any inaccuracies or omissions it may contain. In addition, our policy of continuous product improvement may change specifications without notice. As a result, Scanstrut cannot accept liability for any differences between the product and this document. Please check the Scanstrut website (www.scanstrut.com) to ensure you have the most up-to-date version(s) of the documentation for your product.

Don't forget to tag us

@scanstrut

to showcase how you're using ATMOS.

Copyright ©2023 Scanstrut Ltd.
All rights reserved.

No part of this material may be copied, translated or transmitted (in any medium) without the prior written permission of Scanstrut Ltd and Scanstrut Inc.

Installation Date



Eco packaging:

Printed using vegetable based ink.
100% recyclable.

Reduce | Reuse | Recycle