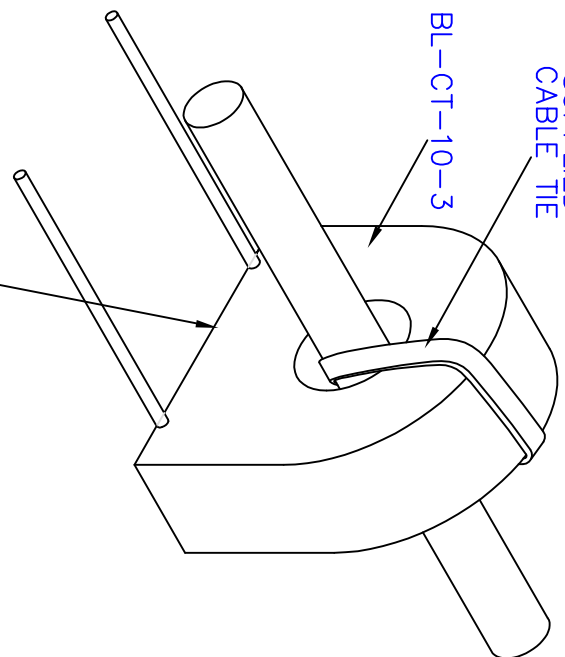


SUPPLIED
CABLE TIE

BL-CT-10-3

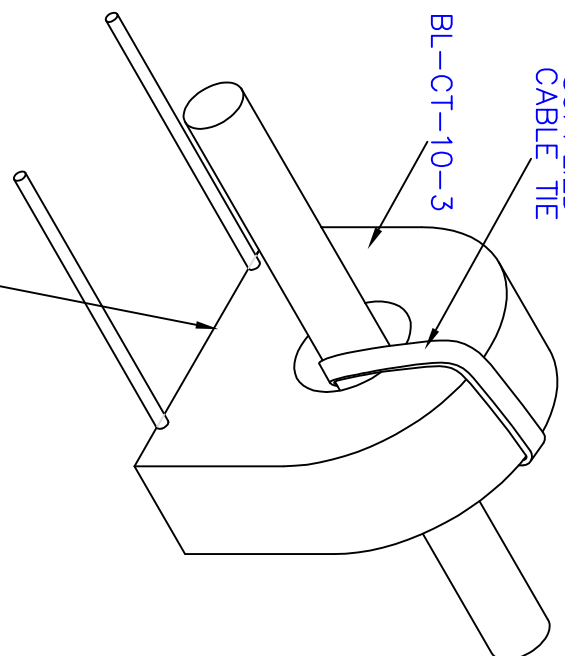


PASS LOAD CARRYING CABLE THROUGH CT AND
SECURE CT TO CABLE USING SUPPLIED CABLE TIE.

FOR FULL WIRING INSTRUCTIONS REFER TO
INST-600ACMV3.

SUPPLIED
CABLE TIE

BL-CT-10-3

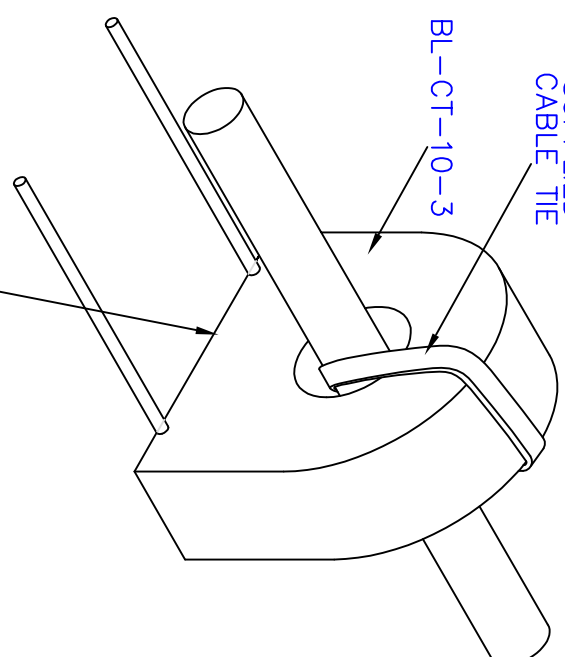


PASS LOAD CARRYING CABLE THROUGH CT AND
SECURE CT TO CABLE USING SUPPLIED CABLE TIE.

FOR FULL WIRING INSTRUCTIONS REFER TO
INST-600ACMV3.

SUPPLIED
CABLE TIE

BL-CT-10-3

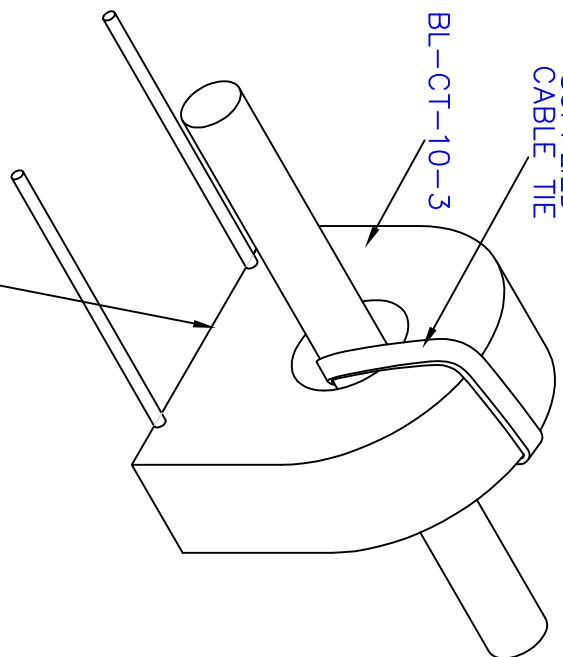


PASS LOAD CARRYING CABLE THROUGH CT AND
SECURE CT TO CABLE USING SUPPLIED CABLE TIE.

FOR FULL WIRING INSTRUCTIONS REFER TO
INST-600ACMV3.

SUPPLIED
CABLE TIE

BL-CT-10-3

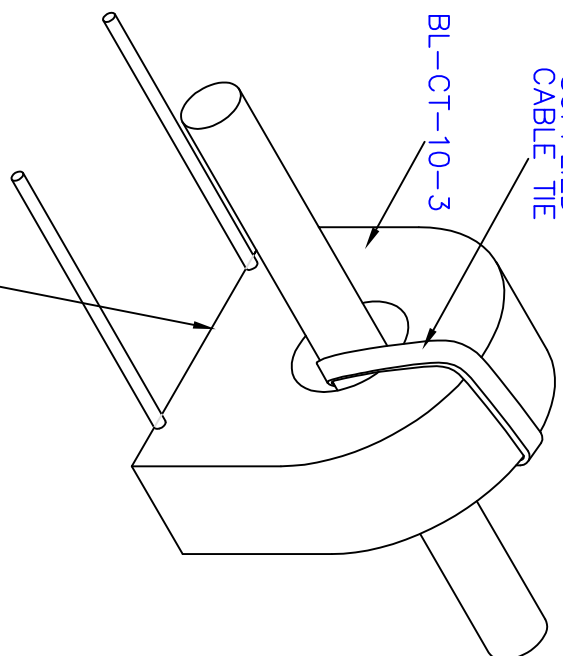


PASS LOAD CARRYING CABLE THROUGH CT AND
SECURE CT TO CABLE USING SUPPLIED CABLE TIE.

FOR FULL WIRING INSTRUCTIONS REFER TO
INST-600ACMV3.

SUPPLIED
CABLE TIE

BL-CT-10-3

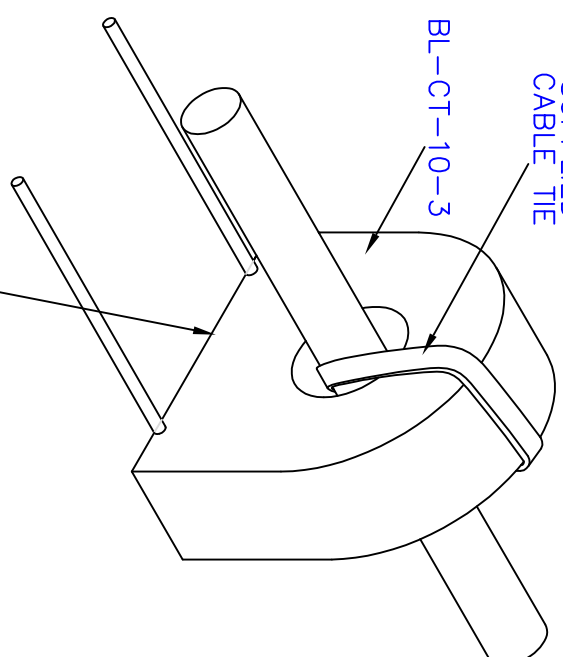


PASS LOAD CARRYING CABLE THROUGH CT AND
SECURE CT TO CABLE USING SUPPLIED CABLE TIE.

FOR FULL WIRING INSTRUCTIONS REFER TO
INST-600ACMV3.

SUPPLIED
CABLE TIE

BL-CT-10-3



PASS LOAD CARRYING CABLE THROUGH CT AND
SECURE CT TO CABLE USING SUPPLIED CABLE TIE.

FOR FULL WIRING INSTRUCTIONS REFER TO
INST-600ACMV3.