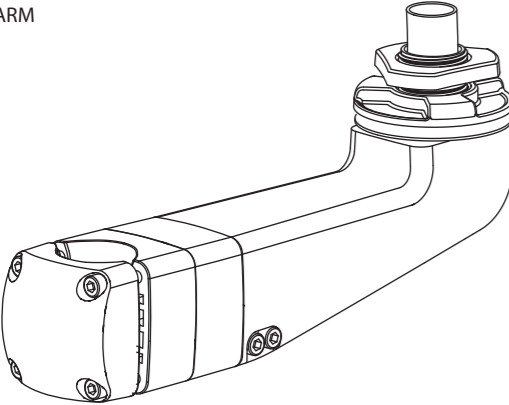
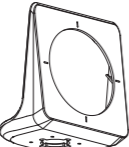

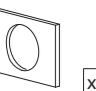





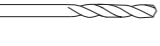
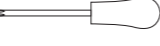




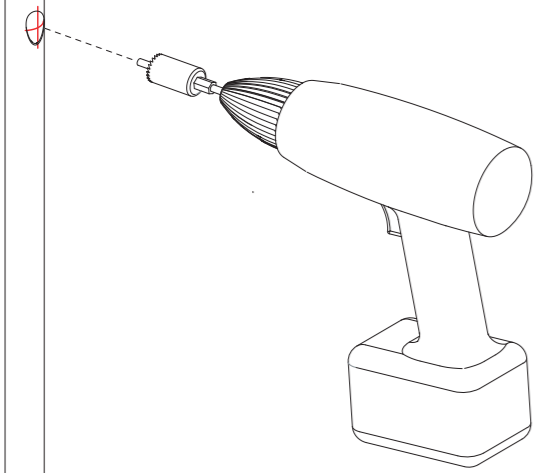
Parts List

SP-ARM 	Front with seal fitted  x1	60416  x2
190SPH-5  x1	Back  x1	60414  x2
	60087  x4	

Tools Required

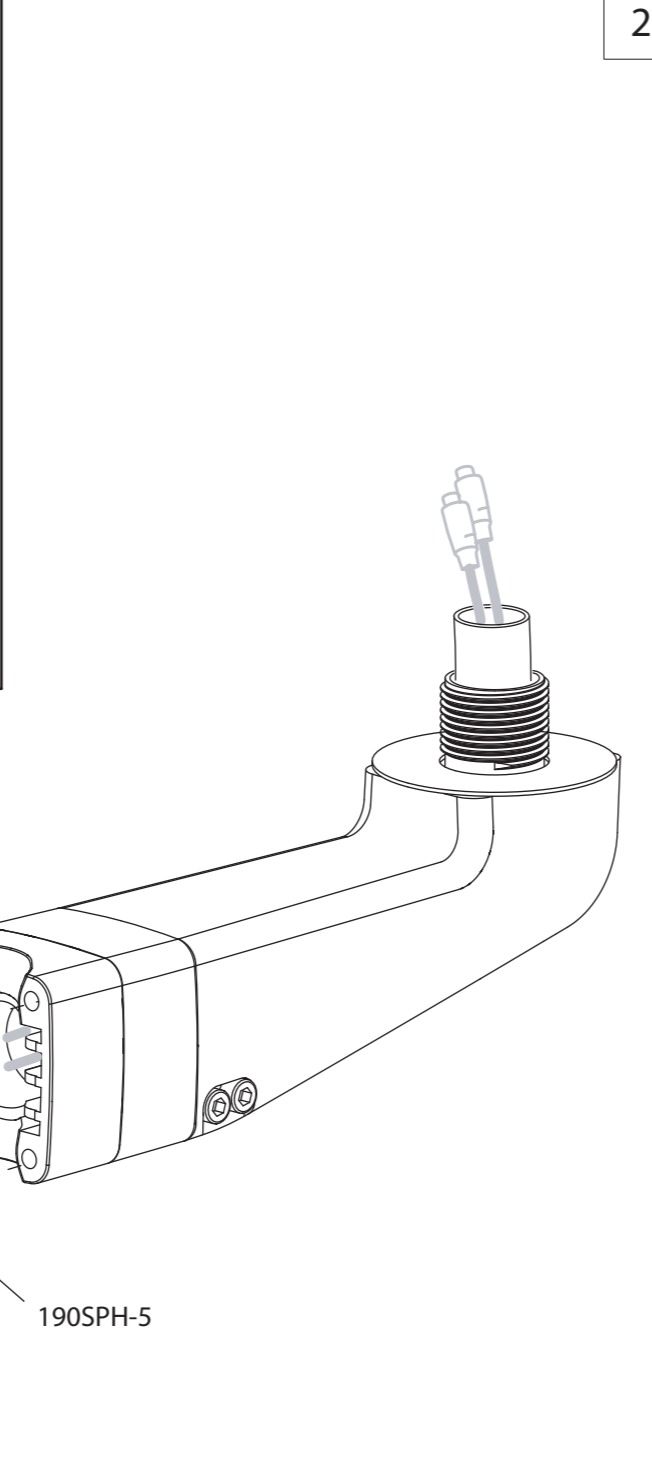
	Hole Saw $\varnothing 20$ or 25mm (25/32" or 1")
	Power drill
	Drill Bit to suit instrument fixings
	Posidriv No. 3 Screwdriver
	2.5mm Allen Key
	4mm Allen Key

1



For $\varnothing 25\text{mm}$ (1") tube: $\varnothing 20\text{mm}$ (25/32") hole saw
 For $\varnothing 32\text{mm}$ (1 1/4") tube: $\varnothing 25\text{mm}$ (1") hole saw

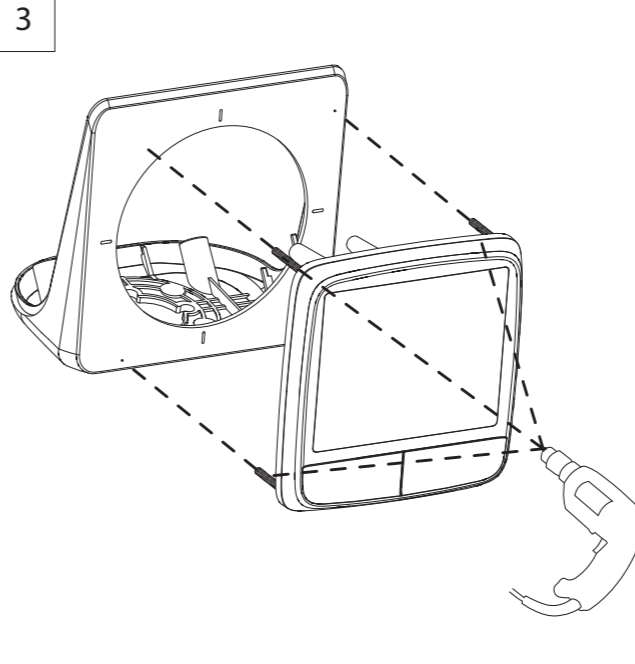
2



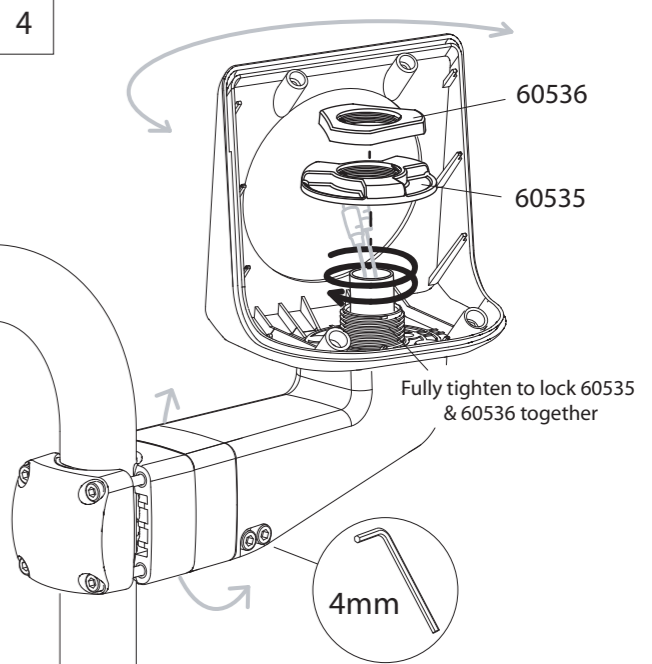
190SPH-5

4mm

3

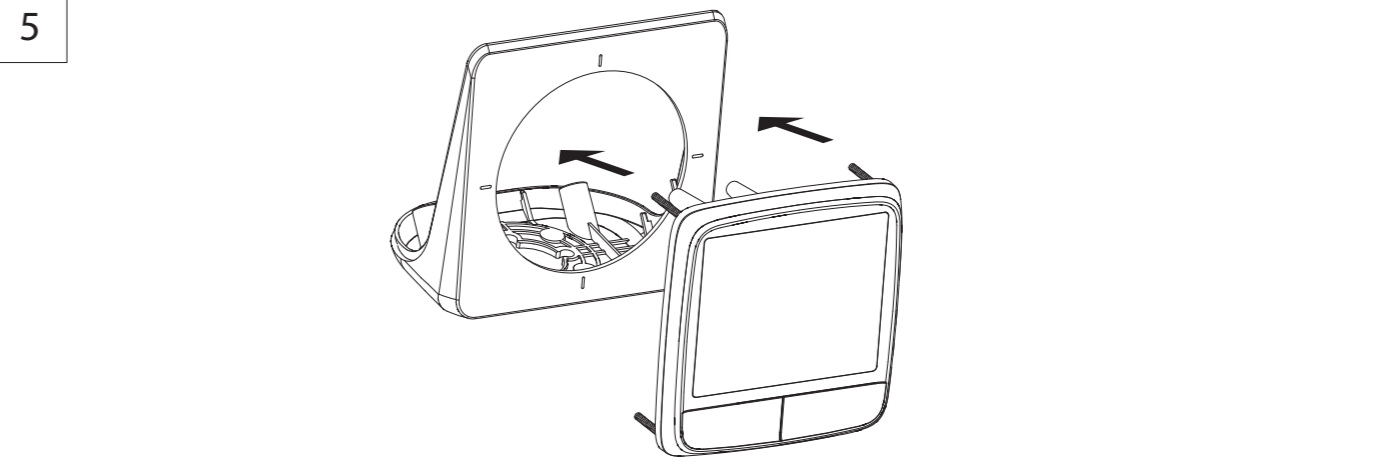


4

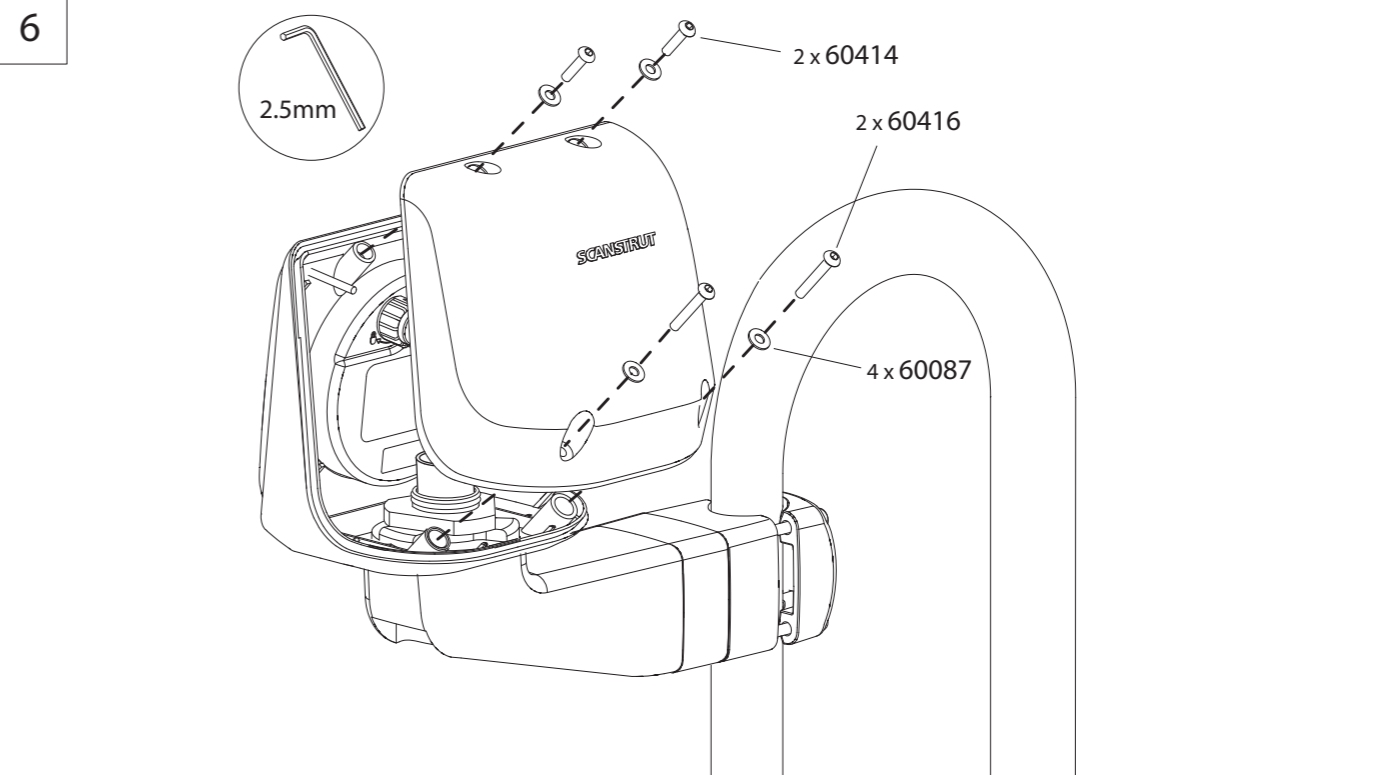


60536
60535
Fully tighten to lock 60535 & 60536 together
4mm

5



6



2.5mm
2 x 60414
2 x 60416
4 x 60087