

Satcom Mount - SC45R **Installation Instructions**

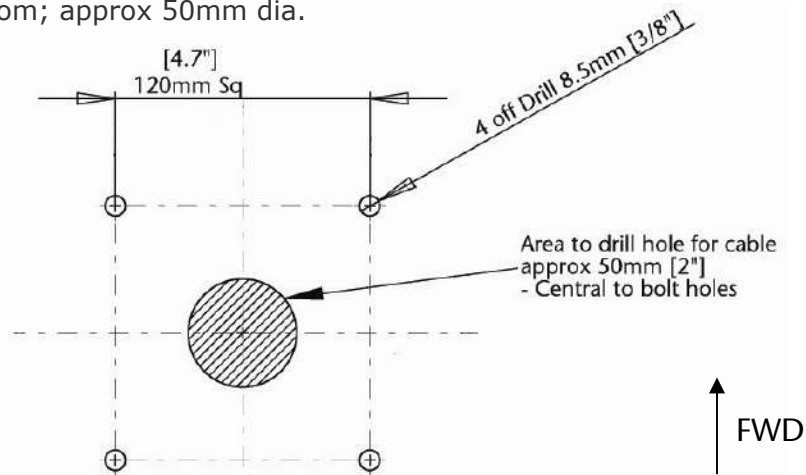
SC45 R Kit Contents:

SC45 Composite Moulding
Expanded Polyethylene Seal 2mm thick, double sided adhesive.
45STV Adapter Plate

Also Required:

4 x M8 Stainless Steel bolts, large washers and nuts to attach SC45 to deck/arch or Pole Top.
Length to suit deck/arch/Pole top thickness.
8.5mm Drill.
Hole Cutter for cable loom; approx 50mm dia.

Drilling Guide:



Fitting SC45:

If you are fitting to an arch or deck:

1. Drill holes in arch to match SC45 and central cable exit – See drilling guide.
2. Using 4 x M8 Stainless Steel Bolts fasten the SC45 into position.
3. Peel off 1 side of backing paper and adhere the Expanded Polyethylene Seal to the underside [side that will fit onto SC45 composite moulding] of the 45 STV Adapter.
4. Peel off remaining backing paper and place the 45STV adapter into the SC45, locating the base recesses over the SC45's M8 fixing bolts and aligning the holes in the top plate, ensuring the 45STV adapter is adhered to the SC45.
5. Thread the cable loom up through the arch, SC45, attached 45STV adapter plate and connect to your Sat Dome.
6. Ensure the seal supplied with your 45STV is fitted correctly and fasten the dome to the top plate of the SC45 and 45STV assembly with the bolts supplied. Fully tighten ensuring the seal compresses so the Domes' rubber feet are sitting onto the 45STV plate.

If you are fitting to the top plate of a pole installation:

1. Install your pole as instructed.
2. Place SC45 moulding onto the top plate of the pole.
3. Using 4 x M8 Stainless Steel Bolts fasten the SC45 into position.
4. Peel off 1 side of backing paper and adhere the Expanded Polyethylene Seal to the underside [side that will fit onto SC45 composite moulding] of the 45 STV Adapter.
5. Peel off remaining backing paper and place the 45STV adapter into the SC45, locating the base recesses over the SC45's M8 fixing bolts and aligning the holes in the top plate, ensuring the 45STV adapter is adhered to the SC45.
6. Thread the cable loom up through the arch, SC45 and connect to your Sat Dome
7. Ensure the seal supplied with your 45STV is fitted correctly and fasten the dome to the top plate of the SC45 and 45STV assembly with the bolts supplied. Fully tighten ensuring the seal compresses so the Domes' rubber feet are sitting onto the 45STV plate.