

Deck Flood Light - SC117 Installation Instructions

Before starting this installation read the Hella Oval 100 mounting instructions supplied. Consult a qualified marine electrician before starting this installation.

SC117 Kit Contents:

- 1x Hella Deck Flood Light + nut/bolt
- 1x 3" Tube Clamp assembly
- 1x Stainless Steel bracket
- 1x M8x50 bolt
- 1x M8 washer
- 1x M8 Nyloc nut
- 2x M6x20 Hex Head Bolts
- 2x M6 Nyloc Nuts
- 4x M6 White nut/bolt covers
- 8x M6 Nylon Washers

Also Required:

- 2x 10mm Spanners
- 1x 13mm Spanner
- Ø6mm / 15/16" drill bit

Fitting SC117 during SC100 pole installation (following point 7 on the SC100 pole instruction sheet):

1. SC117 is designed to mount on the SC100 pole and is attached using the 3" clamps provided. Assemble the 3" clamps and light mounting bracket **around the pole** at the height at which you wish to mount the deck light (see **Figure 1**).
2. Drill a clearance hole in the UPVC cover strip for the light cable. Ø 6mm / ¼".
3. Attach the light to the light mounting bracket using the fastenings provided.

* The deck light is factory fitted with 200mm of cable. This will need to be extended for connection into the boat.

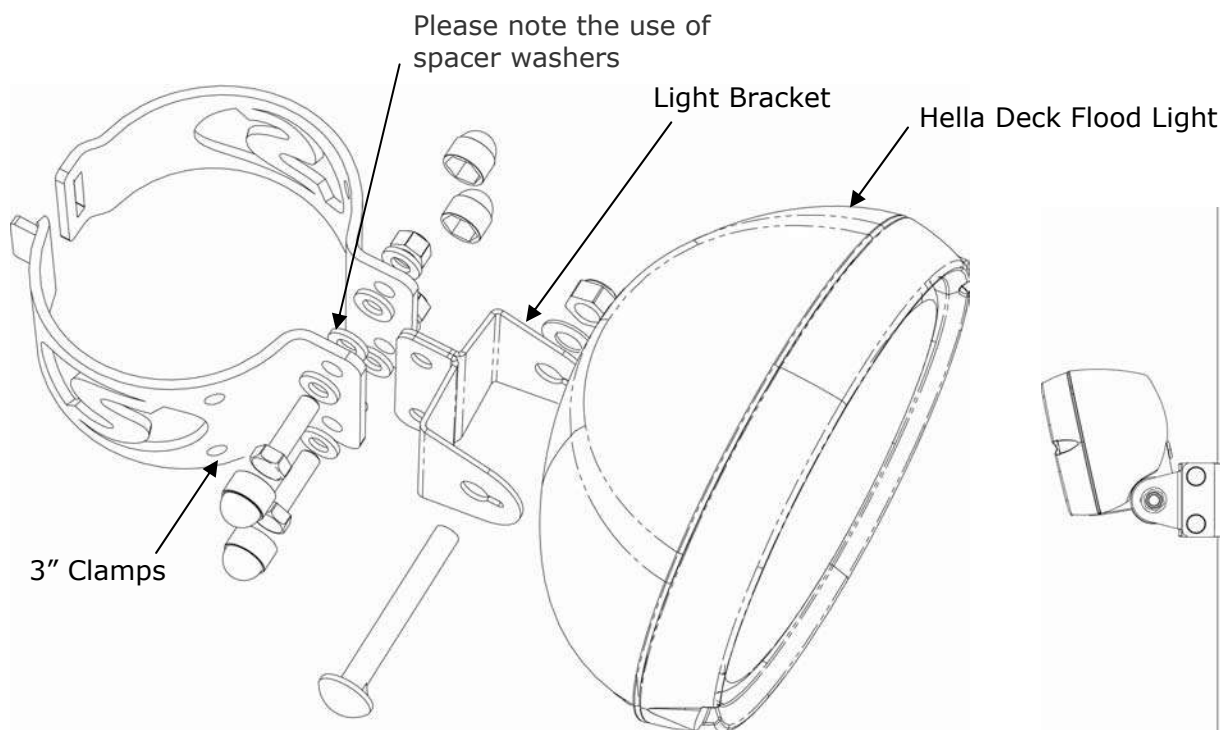


Figure 1

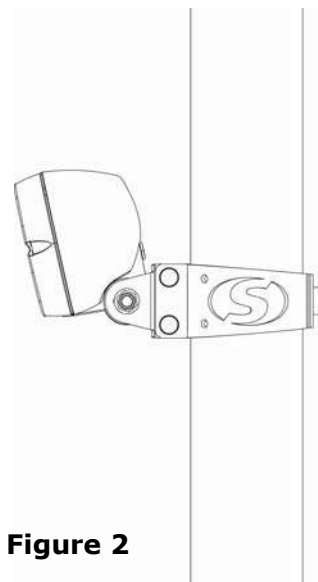


Figure 2